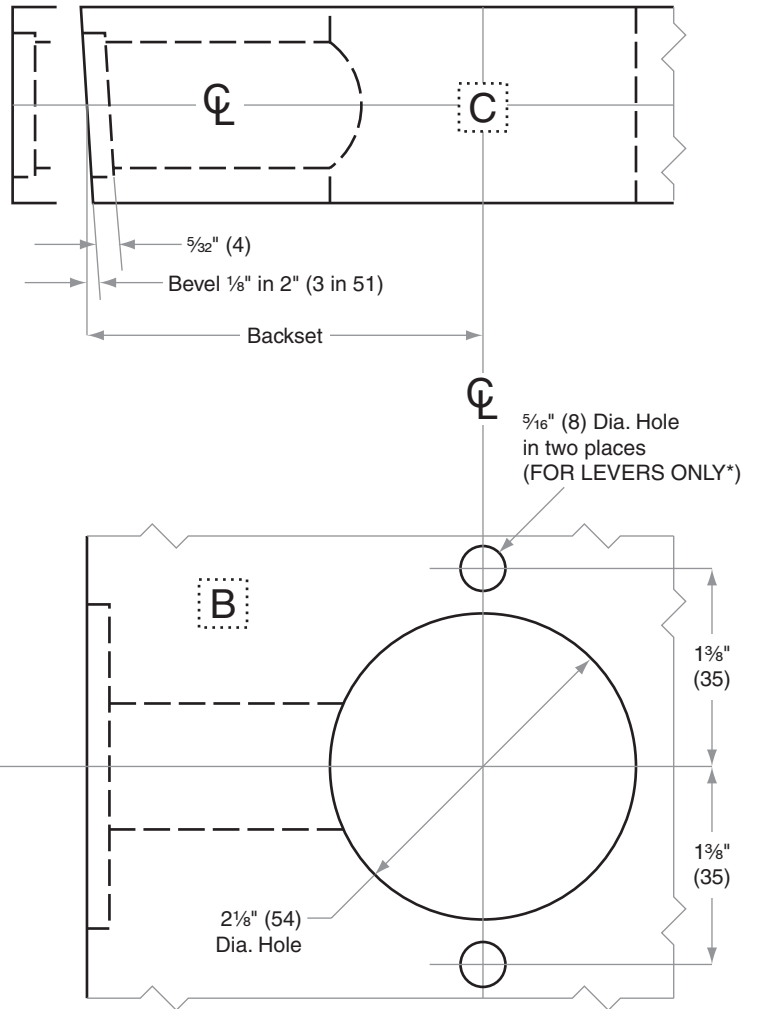
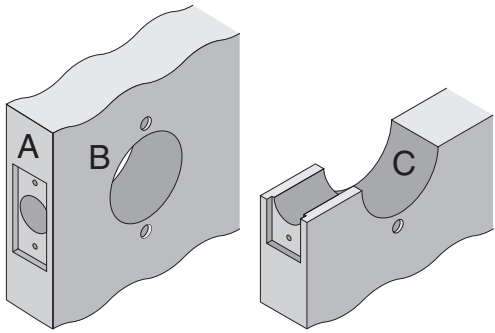


W-Series W101-W711

Door Type: Wood or Composite, Flat or Beveled
Door Thickness: 1 3/8" (35mm) – 2" (51mm)
Faceplate: Square Corner, 1" (25mm) wide
Backsets: FW102-C, 2 3/8" (60mm) | FW102-D, 2 3/4" (70mm)



*Mounting post holes are optional for levers only and cannot be used with knobs.

Dimensions shown in parentheses () are in millimeters.

Door preparation template

FW102