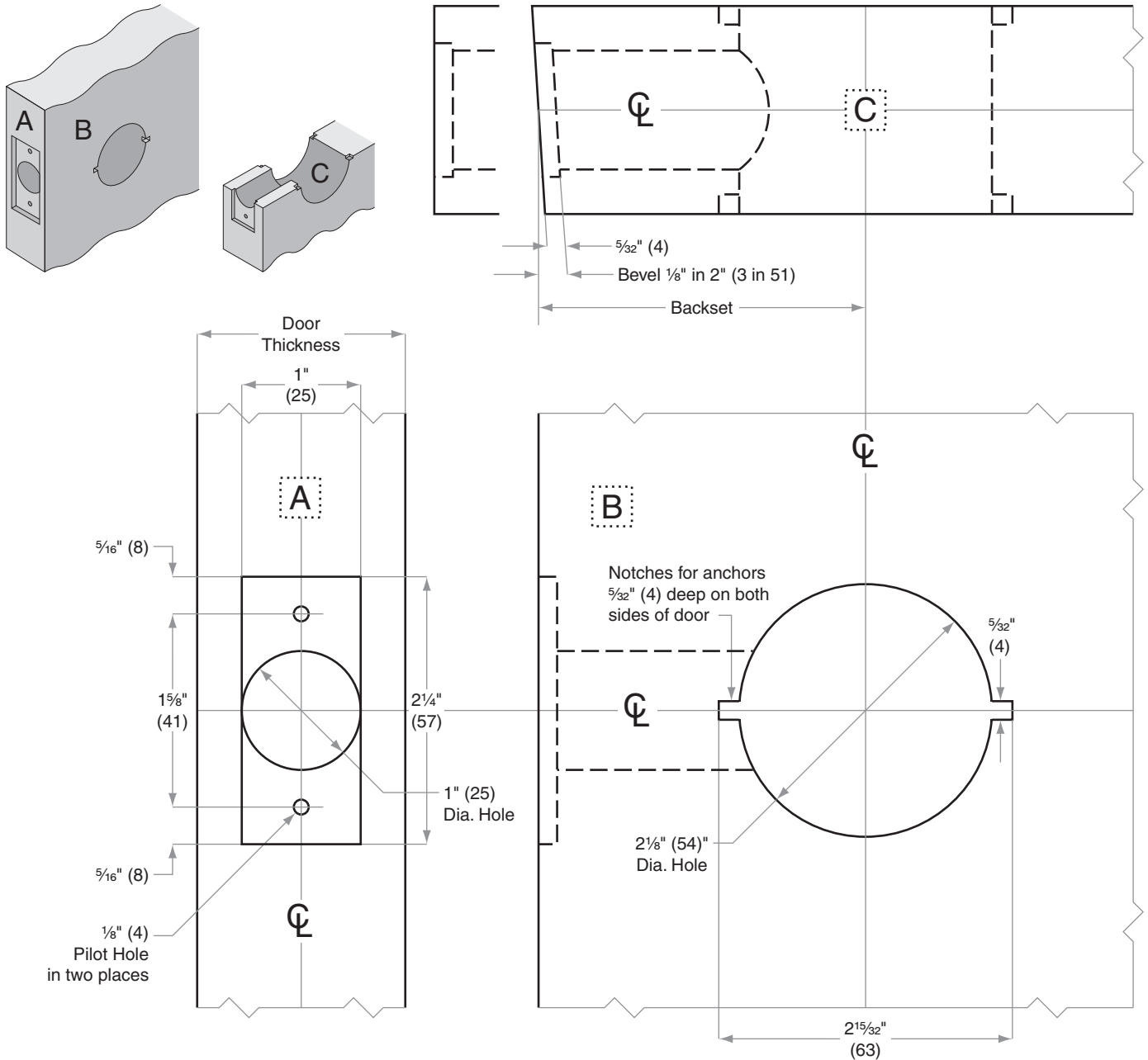


X-Series X101-X581

- Door Type:** Wood or Composite, Flat or Beveled
Door Thickness: 1¾" (44mm) – 2" (51mm)
Faceplate: Square Corner, 1" (25mm) wide
Backsets: FX102-C, 2¾" (60mm) | FX102-D, 2¾" (70mm) | FX102-F, 5" (127mm)



Dimensions shown in parentheses () are in millimeters.

Door preparation template

FX102