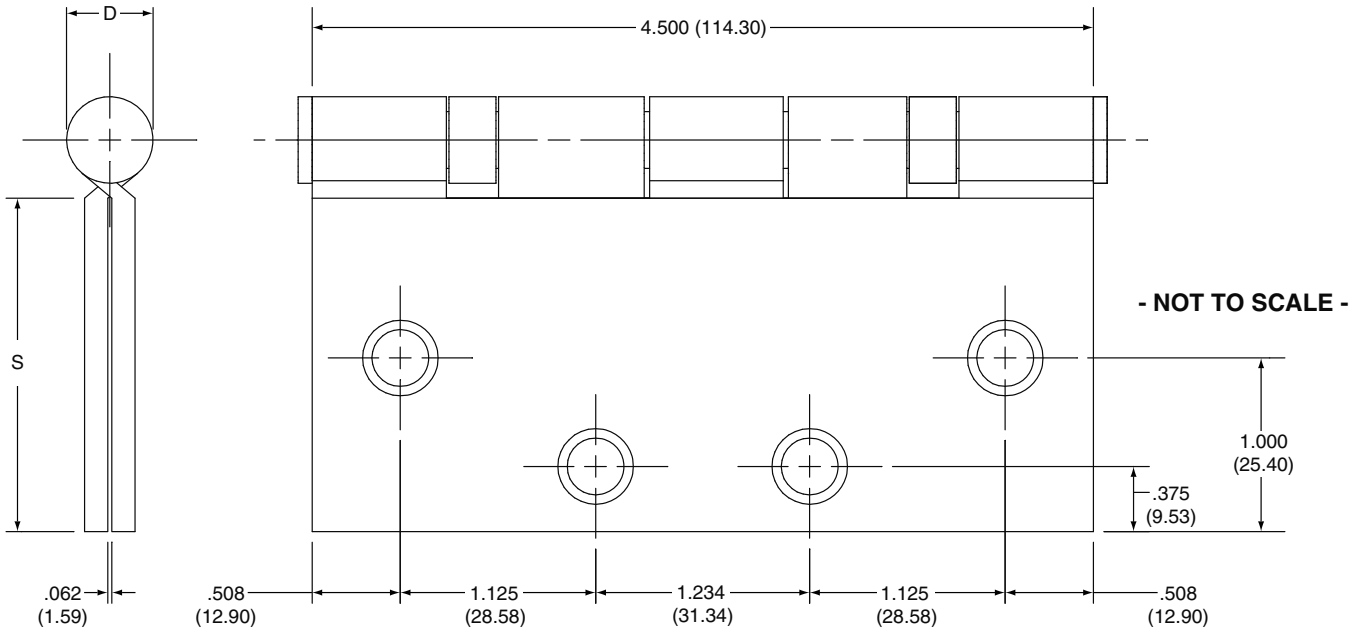


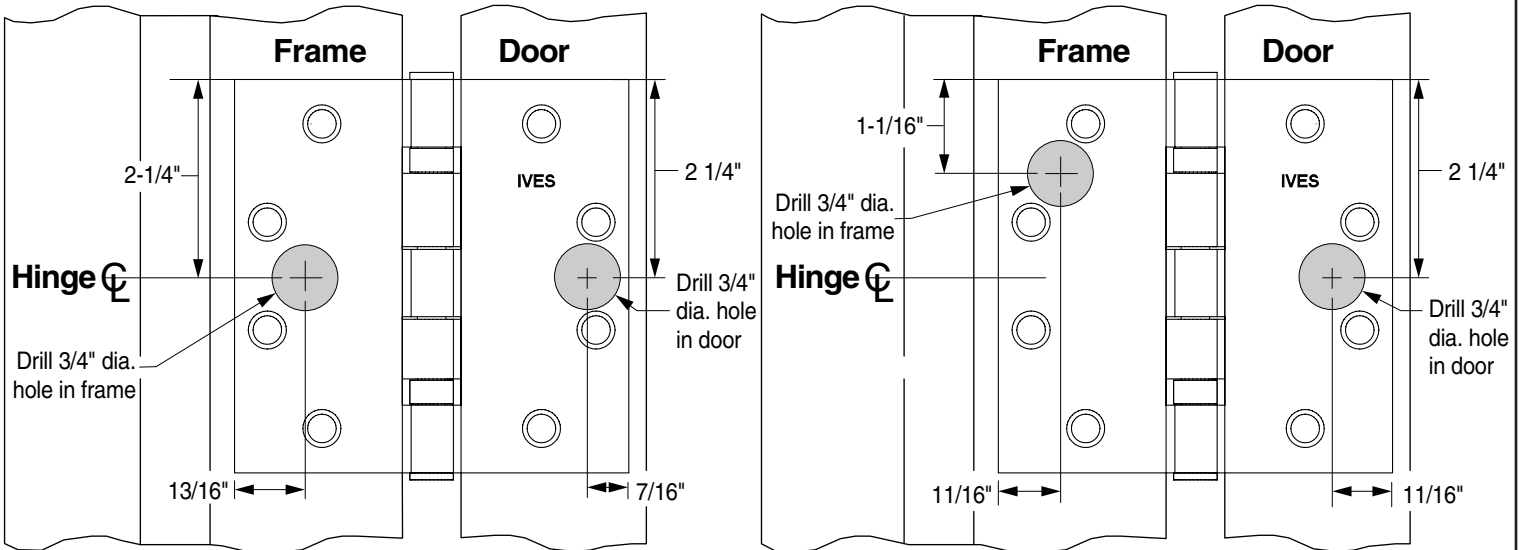
For use with: 5BB1 and 5BB1HW suffixed TW4(M)-CON, TW8(M)-CON, TW12-CON or MON



Left Hand Shown
(Right Hand Rotate 180°)

TW4 and TW8

TW12



Hinge Model	Hinge Weight	Metal Gauge	(D) Knuckle Diameter	(S) Distance From Edge of Leaf to Swage Line	
				4 1/2 x 4 (114.30 x 101.60)	4 1/2 x 4 1/2 (114.30 x 114.30)
5BB1	Standard	.134 (3.40)	.609 (15.48)	1.625 (41.28)	1.875 (47.63)
5BB1HW	Heavy Weight	.180 (4.57)	.703 (17.86)	1.562 (39.69)	1.812 (46.04)

For TW4M, TW8M, and MON only see page 2.

Machine Screw Size: 12-24 x 1/2" F.H.
Wood Screw Size: #12 x 1 1/4" F.H.

- Notes:**
1. Round Corners (RC) application will have 1/4" (6.35) and 5/8" (15.88) radius corners, but will conform to template as shown above the other radius corners.
 2. Hospital Tip (HT) application will conform to template as shown above.

Customer Service
1-877-671-7011 www.allegion.com/us

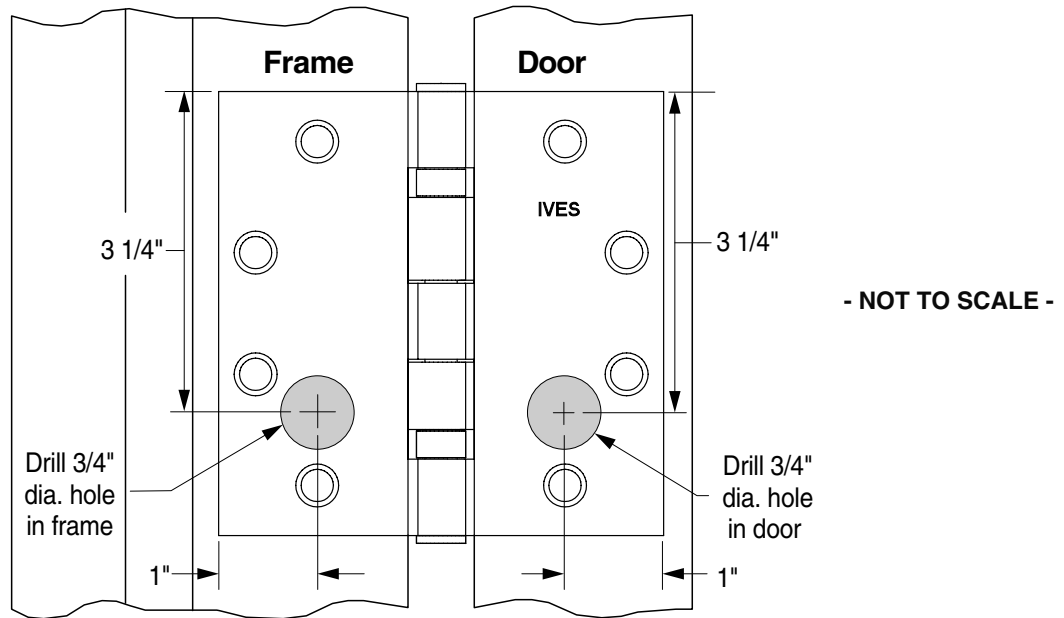
IVES HINGES ARE MADE IN SIZE, GAUGE AND WITH SCREW HOLES LOCATED TO CONFORM TO ANSI - A156.7.

IVES 5 KNUCKLE 4 1/2" ELECTRIC FULL MORTISE HINGE TEMPLATE

ALLEGION
Template Number **INST.4.5-5KEHG_C**

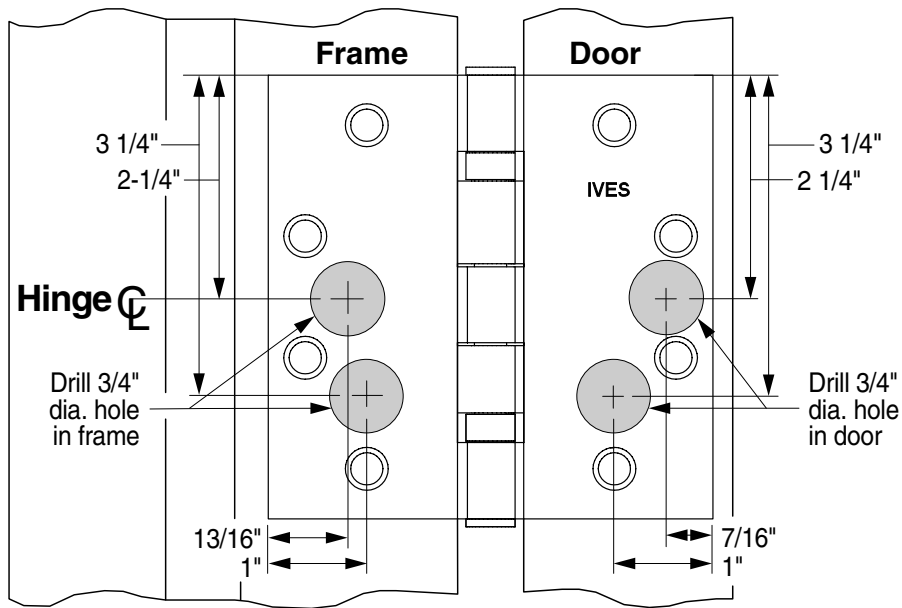
Note: Dimensions in () are millimeters

Hinges with Monitor Only (MON)



Left Hand Shown
(Right Hand Rotate 180°)

TW4M and TW8M



- Notes:**
1. Round Corners (RC) application will have 1/4" (6.35) and 5/8" (15.88) radius corners, but will conform to template as shown above the other radius corners.
 2. Hospital Tip (HT) application will conform to template as shown above.

Customer Service

1-877-671-7011

www.allegion.com/us

IVES HINGES ARE MADE IN SIZE, GAUGE AND WITH SCREW HOLES LOCATED TO CONFORM TO ANSI - A156.7.

IVES

5 KNUCKLE 4 1/2" ELECTRIC FULL
MORTISE HINGE TEMPLATE



ALLEGION

Pg. 2 of 2

© 2020 Allegion
INST.4.5-5KEHG
Rev. 08/20-c

Note: Dimensions in () are millimeters

Template Number **INST.4.5-5KEHG_C**