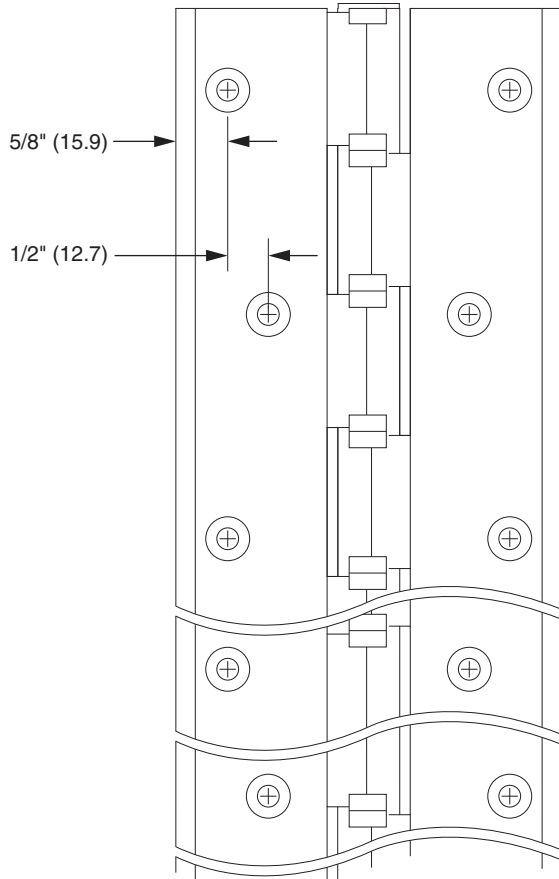


.313 (8) Square edge minimum clearance  
 .344 (8.7) Beveled edge minimum clearance



**Vertical distance between holes**

	A	B	C	D	E
Inch	1"	2.75"	6"	7"	25"
mm	25.4	69.9	152.4	177.8	635.0

**Note: Total Door Undersizing**

Single Square Edge Door - 15/32"  
 Single Beveled Edge Door - 1/2"

Pair of Doors, each leaf, Square Edge Door - 7/16"  
 Pair of Doors, each leaf, Beveled Edge Door - 15/32"



83" 700CS FULL MORTISE  
 CONTINUOUS HINGE TEMPLATE



NOTE: DIMENSIONS IN ( ) ARE IN MILLIMETERS

TEMPLATE NUMBER: 24723447(B)

Date: 10-20-14