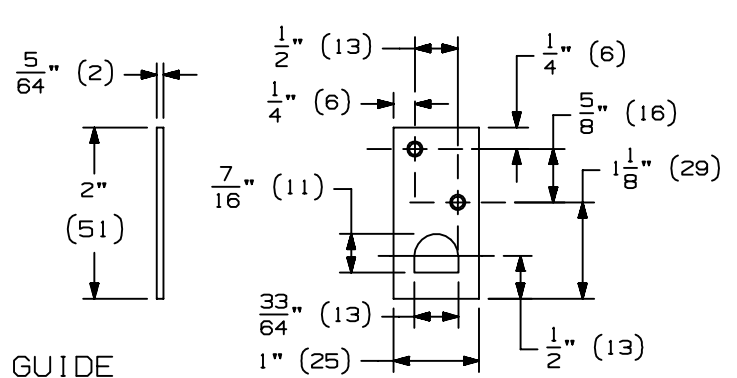
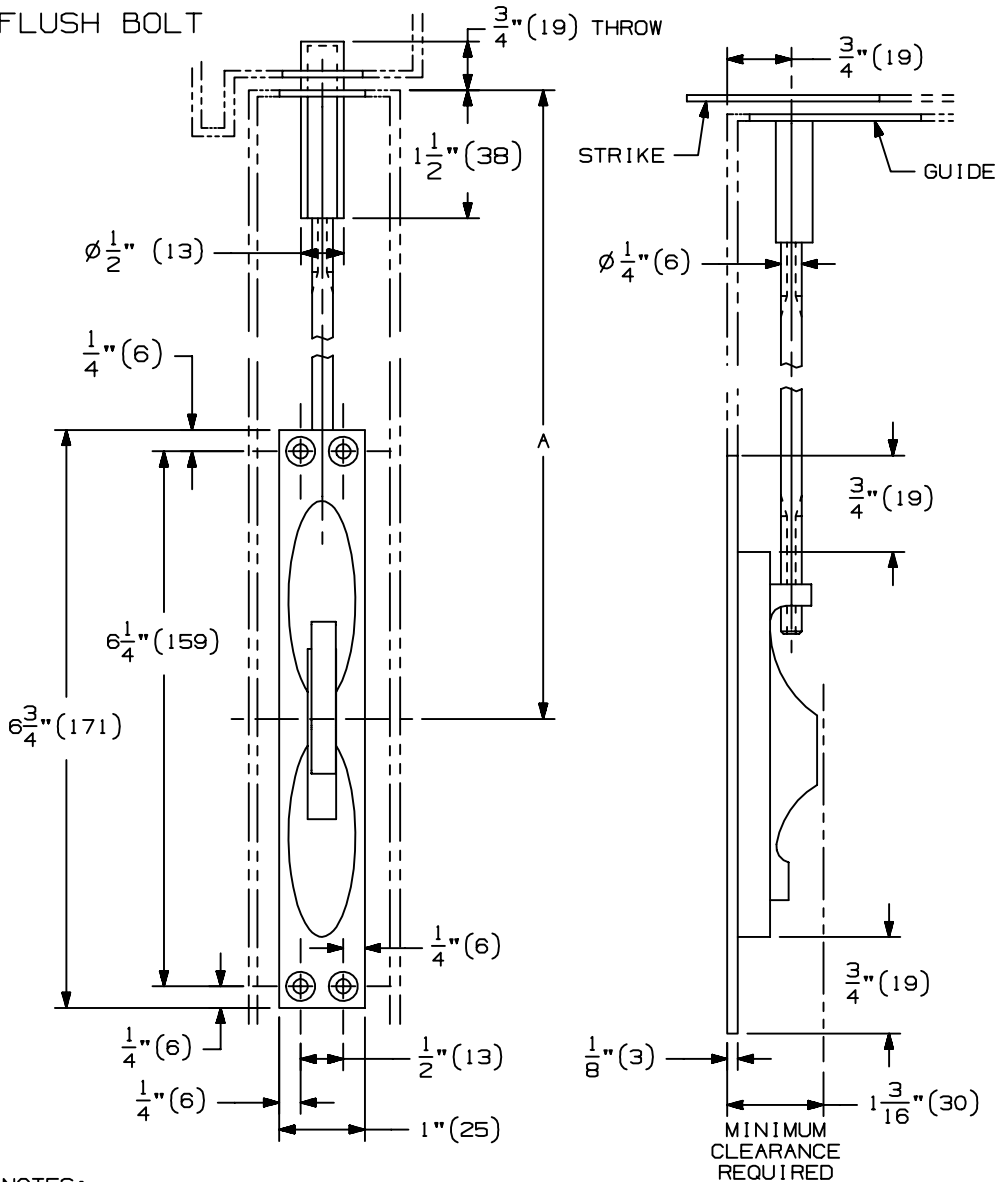


STRIKE



GUIDE

FLUSH BOLT



FB458 & FB458N  
INSTALLATION  
INSTRUCTIONS:

1. MORTISE INACTIVE DOOR FOR FB458 & FB458N.
2. HANG INACTIVE DOOR, WITH DOOR OPEN. MEASURE MINIMUM CLEARANCE FROM DOOR TO FINISHED FLOOR.
3. REMOVE DOOR. INSTALL FB458 & FB458N FLUSH BOLT. ADJUST TOP BOLT SO IT IS FLUSH WITH TOP OF DOOR. ADJUST BOTTOM BOLT TO PROJECT  $\frac{1}{8}$ " (3) LESS THAN MINIMUM CLEARANCE.
4. INSTALL GUIDE.
5. INSTALL STRIKE.
6. HANG DOOR.

FIELD ADJUSTMENTS:

- VERTICAL ROD ADJUSTMENT
- A. TOP BOLT - REMOVE GUIDE, TURN BOLT AS NECESSARY TO ADJUST.
  - B. BOTTOM BOLT - REMOVE DOOR FROM HINGES. REMOVE GUIDE. TURN BOLT AS NECESSARY TO ADJUST.

NOTES:

1. A = 12" (305) IS STANDARD, OTHER SIZES ARE OPTIONAL. ONLY THE 6" (152), 9" (229), 12" (305) & 24" (610) ARE UL LISTED FOR FIRE DOORS.

A	6	9	18	24	30	36	48
	152	229	457	610	762	914	1219

2. THE DOOR MUST HAVE AT LEAST  $\frac{1}{4}$ " (6) UNDERCUT.
3. FOR ADDITIONAL INFORMATION ON OPTIONAL DUST PROOF STRIKES, SEE DP1 & DP2 TEMPLATES.

	QTY	SCREW DETAILS
HOUSING	4	#8-32 X 1" FPH COMBO SCREW
GUIDE	2	#8-32 X 1" FPH COMBO SCREW
STRIKE	2	#8-32 X 1" FPH COMBO SCREW

**IVES** FB458 & FB458N MANUAL FLUSH  
BOLT FOR METAL DOORS  
INSTALLATION TEMPLATE



NOTE: DIMENSIONS IN ( ) ARE MILLIMETERS.

TEMPLATE NUMBER: INST.FB458\_0

DATE: 09-01-01