



FB52

IVES

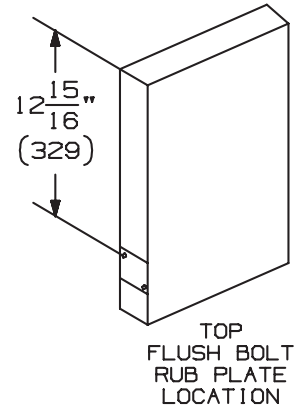
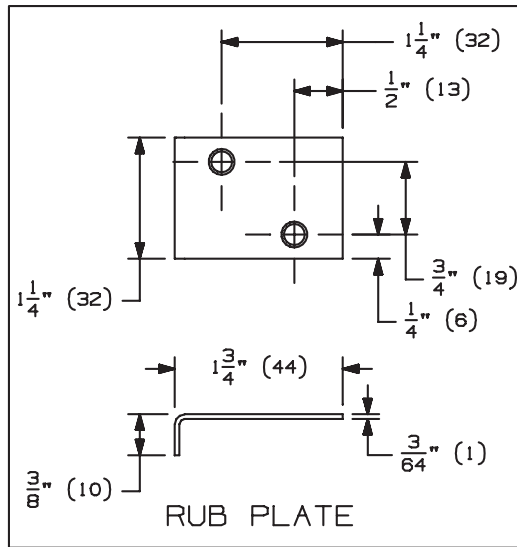
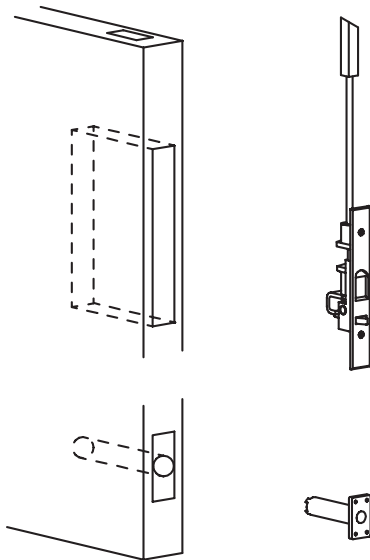
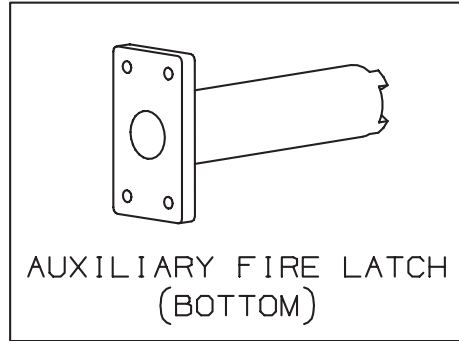
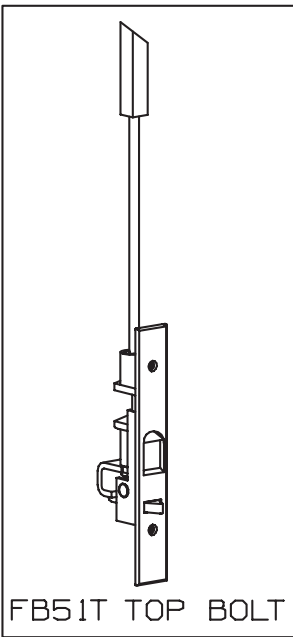
INST.FB52

Constant Latching Flush Bolt for Metal Doors

Installation Instructions

FB52 INSTALLATION INSTRUCTIONS:

1. MORTISE INACTIVE DOOR FOR FB51 FLUSH BOLT.
2. FB51 FLUSH BOLT FITS ANSI 115.4 DOOR AND FRAME PREPARATION.
3. REMOVE DOOR. INSTALL FB51T (TOP) FLUSH BOLT IN EDGE OF DOOR. THREAD ROD WITH BOLT INTO TUBE OF FLUSH BOLT AND ADJUST BOLT SO IT IS FLUSH WITH THE TOP OF DOOR WHEN RETRACTED AND BEVEL IS TOWARDS THE PUSH SIDE OF DOOR. FLUSH
4. INSTALL TOP GUIDE.
5. INSTALL TOP STRIKE IN STANDARD ANSI FRAME PREPARATION.
6. INSTALL RUB PLATE ON EDGE OF ACTIVE DOOR ON CAM CENTERLINES.
7. INSTALL FACE PLATE.
8. DRILL 4 HOLES WITH #36 DRILL AND $1\frac{7}{8}$ " HOLE IN INACTIVE DOOR FOR AUXILIARY FIRE LATCH (AS SHOWN ON SHEET 3).
9. DRILL 1" HOLE IN ACTIVE DOOR FOR AUXILIARY FIRE LATCH (AS SHOWN ON SHEET 3).
10. INSTALL AUXILIARY FIRE LATCH WITH 4 SCREWS.
11. INSTALL AUXILIARY FIRE LATCH HOLE PLUG.



FIELD ADJUSTMENT

VERTICAL ROD ADJUSTMENT:

- A. TOP FLUSH BOLT: REMOVE GUIDE, TURN BOLT CLOCKWISE OR COUNTERCLOCKWISE AS NECESSARY TO ADJUST, REPLACE GUIDE.

NOTE:

1. INSTALL COORDINATOR BEFORE CONSTANT LATCHING FLUSH BOLTS.
2. THE RECOMMENDED CLEARANCE BETWEEN DOORS IS $\frac{1}{8}$ " (3).
3. CERTIFIED PERSONNEL SHOULD PERFORM FIELD PREP FOR AUXILIARY FIRE LATCH.

SCREW DETAILS			
	QTY	MACHINE SCREWS	SHEET METAL SCREWS
HOUSING	4	8-32 X $\frac{3}{8}$ " UFPHMS	----
FACE PLATE	2	6-32 X $\frac{3}{8}$ " UFPHMS	----
TOP STRIKE	2	8-32 X $\frac{3}{4}$ " UFPHMS	#8 X $\frac{3}{4}$ " FPHSMS W/PLASTIC EXP SHIELD
RUB PLATE	2	----	#6 X $\frac{3}{4}$ " FPHSMS
GUIDE	2	8-32 X $\frac{3}{8}$ " UFPHMS	----
AUXILIARY FIRE LATCH	4	----	#6 X $\frac{3}{4}$ " FPHSMS

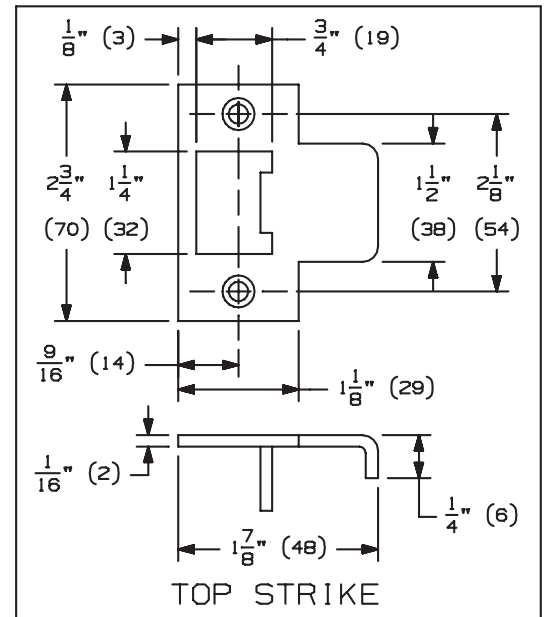
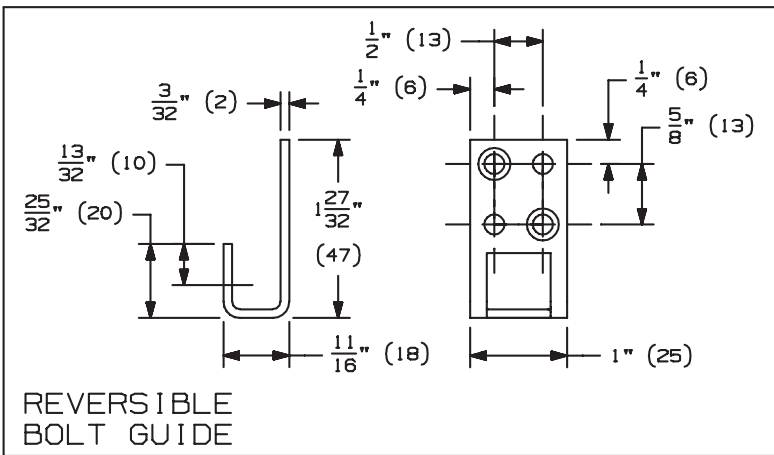
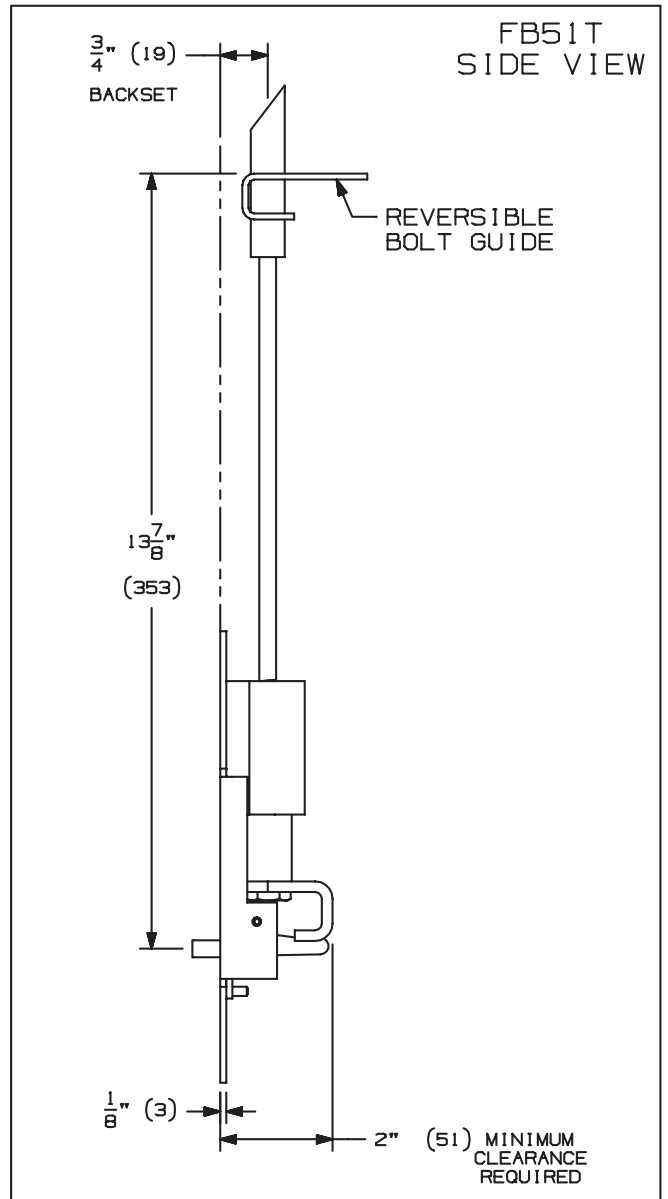
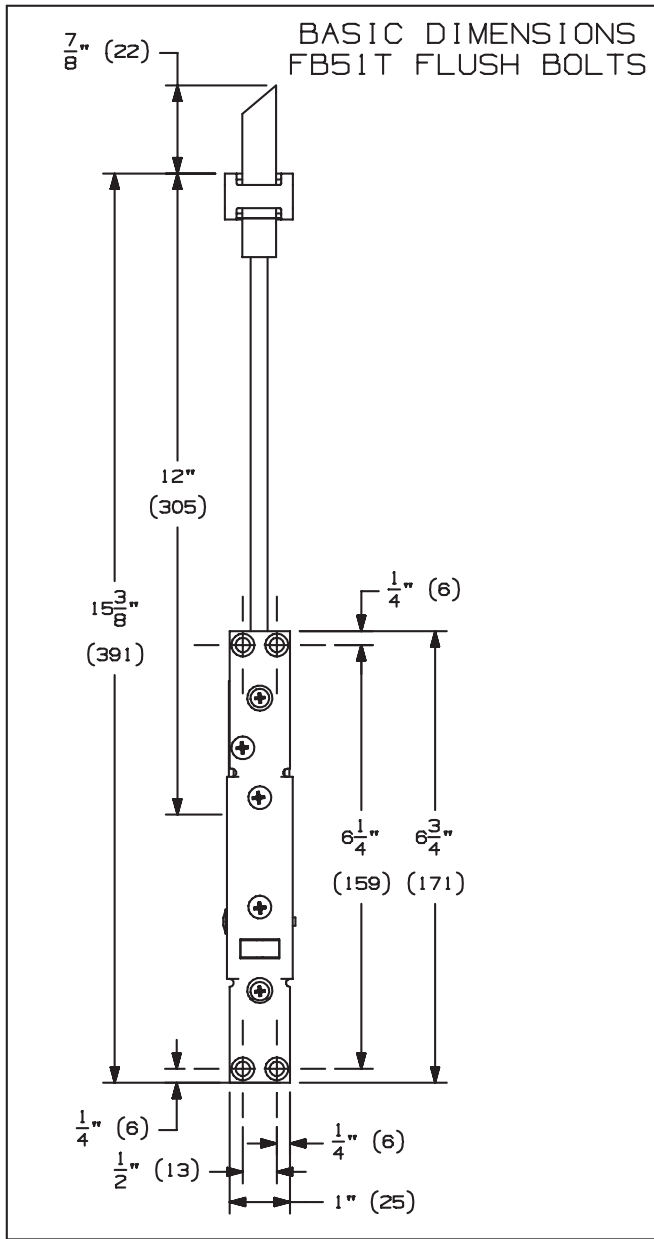
NOTE: DIMENSIONS IN () ARE MILLIMETERS.

Customer Service

1-877-671-7011 www.allegion.com/us



© Allegion 2014
 Printed in U.S.A.
 INST.FB52 Rev. 01/14-b



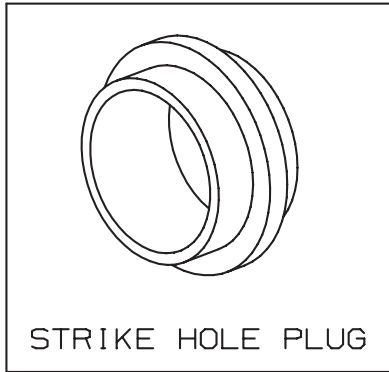
NOTE: DIMENSIONS IN () ARE MILLIMETERS.

LBB FIRE LATCH FOR USE ONLY WITH IVES
 FB32, FB33, FB42, FB52, FB53 AND FB62 FLUSH BOLTS

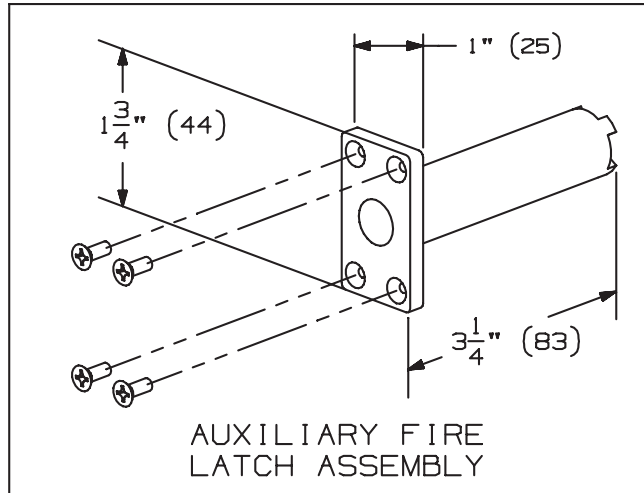
NOTE:

IT DOES NOT MATTER WHICH DOOR LEAF THE AUXILIARY FIRE LATCH IS INSTALLED. HOWEVER, THE LATCH MUST BE INSTALLED TO MAINTAIN FIRE LISTING. THE PURPOSE OF THE AUXILIARY FIRE LATCH ASSEMBLY IS TO KEEP THE DOORS IN ALIGNMENT DURING A FIRE. IN A FIRE, THE BOLT EXTENDS FROM THE AUXILIARY FIRE LATCH INTO THE STRIKE HOLE IN THE OPPOSITE DOOR LEAF. THE BLACK CAP VISIBLE ON THE FACE OF THE LATCH MUST MELT IN ORDER FOR THE BOLT TO EXTEND, THEREFORE:

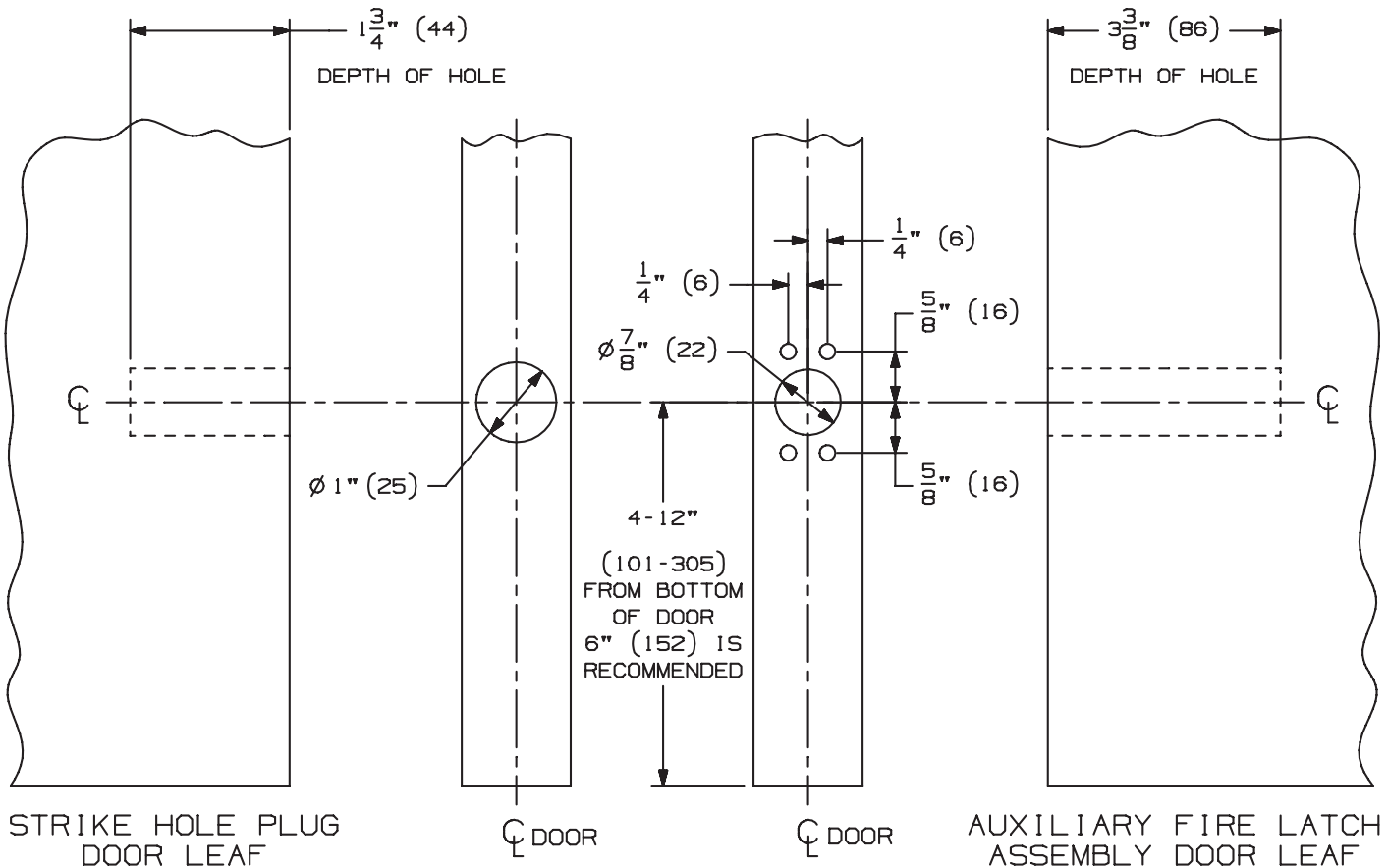
DO NOT COVER THE DOOR GAP AT THE AUXILIARY FIRE LATCH WITH A DOOR EDGE GUARD OR SIMILAR DEVICE.



STRIKE HOLE PLUG



AUXILIARY FIRE LATCH ASSEMBLY



STRIKE HOLE PLUG
 DOOR LEAF

DOOR

DOOR

AUXILIARY FIRE LATCH
 ASSEMBLY DOOR LEAF

NOTE: DIMENSIONS IN () ARE MILLIMETERS.