

INSTALLATION INSTRUCTIONS

BOTTOM OF DOOR

(SEE SHEET 2 FOR OTHER MOUNTING METHODS)

1. MOUNT BACK PLATE WITH CENTERLINE 3 1/2" (89) FROM LATCH EDGE OF DOOR AND TOP OF PLATE 5" (127) FROM BOTTOM OF DOOR, AS INDICATED IN ILLUSTRATION. LOCATE SCREW HOLES BY USING BACK PLATE AS TEMPLATE.
2. PLACE STOP ASSEMBLY ON BACK PLATE AND PUSH IT DOWN ON TAPERED LEGS, WITH LOCKING SET SCREW FULLY RETRACTED. THEN RAISE STOP ASSEMBLY APPROX. 1/4" (6), TO PROVIDE ADJUSTMENT, AND LOCK IN POSITION WITH LOCKING SET SCREW.
3. HOLD STRIKE UNDER STOP ASSEMBLY WITH ROLLER FULLY ENGAGED IN SLOT. MOVE DOOR SO AS TO CONTACT WALL WITH STRIKE. LOCATE STRIKE SCREW HOLES, USING STRIKE AS TEMPLATE.
4. MOUNT STRIKE.
5. ADJUST STOP ASSEMBLY ON BACK PLATE TO 3/16" CLEARANCE BETWEEN HOUSING AND STRIKE AS SHOWN IN ILLUSTRATION, USING A 3/16" DRILL AS A SPACER. SECURE WITH LOCKING SET SCREW.
6. HOLDING POWER IS ADJUSTED BY TURNING ADJUSTING SCREW COUNTERCLOCKWISE TO INCREASE TENSION AND CLOCKWISE TO DECREASE TENSION. FURTHER ADJUSTMENT CAN BE MADE BY MOVING STOP ASSEMBLY UP OR DOWN ON BACK PLATE.

NOTES:

1. METAL DOORS SHOULD BE PROPERLY REINFORCED WITH 3/16" (5) MINIMUM THICKNESS PLATE.
2. USE SEX BOLTS ON METAL DOORS THAT ARE NOT REINFORCED.
3. RECOMMENDED MOUNTING IS STOP ON DOOR AND STRIKE ON WALL.
4. REMOVE AND DISCARD SAFETY SET SCREW EXCEPT FOR INVERTED, TOP OF DOOR APPLICATIONS.

	QTY	SCREW DETAILS
STRIKE	4	#12 X 1 1/4" OPHSMS
	4	#12 LEAD SHIELD
BACK PLATE WOOD DOORS	4	#18 X 1" FPHSMS
	4	8-32 X 1/2" FPHMS
BACK PLATE METAL DOORS	4	SEX BOLT
	4	#8 X 1/2" FPHMS

© 2021 Allegion
INST.FS495 Rev. 12/21-b



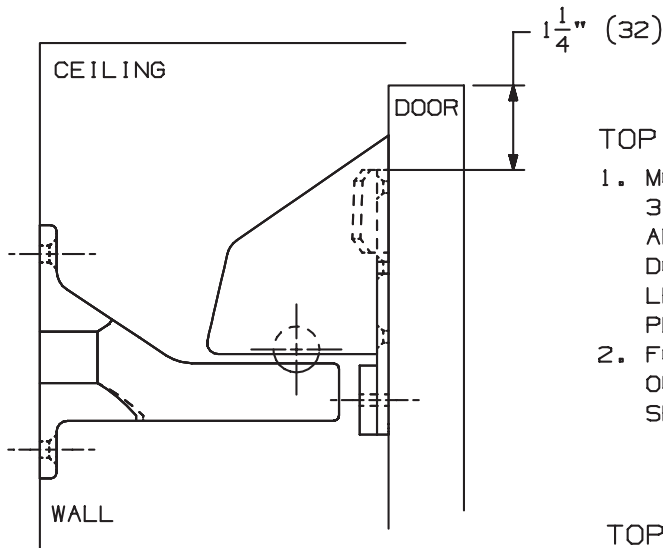
**FS495 Automatic Wall Holder
Installation Template**



Note: Dimensions in [] are millimeters

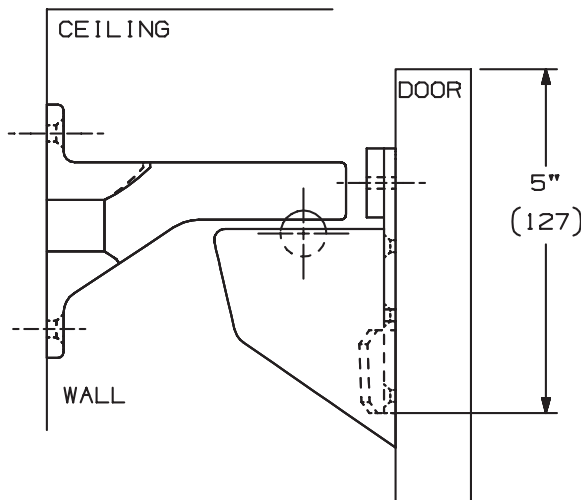
Template
Number

INST.FS495(B) PG 1/2



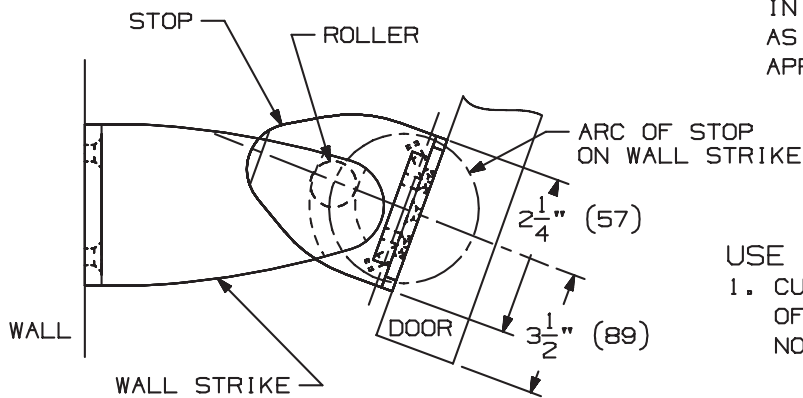
TOP OF DOOR

1. MOUNT BACK PLATE WITH CENTERLINE 3 1/2" (89) FROM LATCH EDGE OF DOOR AND TOP PLATE 1 1/4" (32) FROM TOP OF DOOR, AS INDICATED IN ILLUSTRATION AT LEFT. LOCATE SCREW HOLES BY USING BACK PLATE AS TEMPLATE.
2. FOLLOW INSTRUCTIONS 2 THROUGH 6 AS OUTLINED FOR BOTTOM OF DOOR APPLICATION. SEE SHEET 1.



TOP OF DOOR INVERTED

1. MOUNT BACKPLATE (INVERTED, WITH RUBBER BUMPER AT TOP) WITH CENTERLINE 3 1/2" (89) FROM LATCH EDGE OF DOOR AND TOP OF PLATE (INVERTED, SEE ILLUSTRATION) 5" (127) FROM TOP OF DOOR. LOCATE SCREW HOLES BY USING BACKPLATE AS TEMPLATE.
2. PLACE STOP PLATE ASSEMBLY ON BACK PLATE AND PUSH IT UP ON TAPERED LEGS WITH LOCKING SET SCREWS FULLY RETRACTED. THEN LOWER THE STOP ASSEMBLY APPROX. 1/4" (6), TO PROVIDE ADJUSTMENT, AND LOCK INTO POSITION WITH LOCKING SET SCREW. SECURE SAFTEY SET SCREW BY TURNING UNTIL HEAD IS FLUSH WITH HOUSING. SCREW THEN EXTENDS BEYOND DOVETAIL OF BACKPLATE AND PREVENTS STOP ASSEMBLY FROM FALLING WHEN FINAL ADJUSTMENT IS BEING MADE.
3. HOLD STRIKE IN INVERTED POSITION OVER STOP ASSEMBLY WITH ROLLER FULLY ENGAGED IN SLOT. FOLLOW INSTRUCTIONS 3,4,5 & 6 AS OUTLINED FOR BOTTOM OF DOOR APPLICATION.



USE OF ARCUATE SLOT

1. CURVED SLOT IN STRIKE PERMITS USE OF WALL STRIKE WHEN DOOR AND WALL ARE NOT PARALLEL.

© 2021 Allegion
INST.FS495 Rev. 12/21-b

IVES

FS495 Automatic Wall Holder
Installation Template



Note: Dimensions in [] are millimeters

Template
Number

INST.FS495(B) PG 2/2