

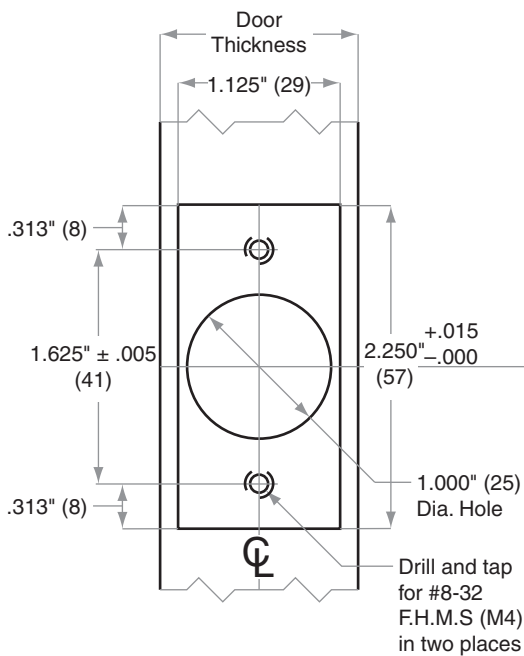
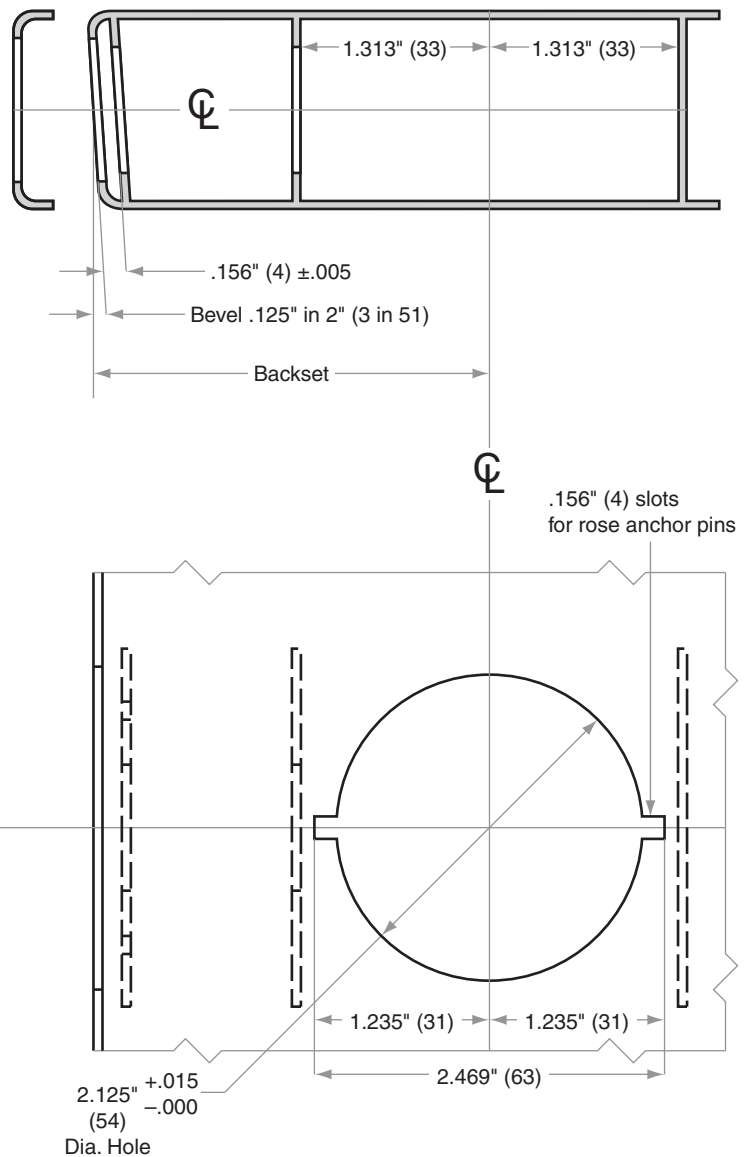


# A-Series

## Models A10–A85

Door Type: Metal, flat or beveled  
 Door Thickness:  $1\frac{3}{8}$ " (35 mm)– $1\frac{7}{8}$ " (48 mm)  
 Faceplate: Square Corner,  $1\frac{1}{8}$ " (29 mm) width  
 Backsets:  $2\frac{3}{4}$ " (70 mm) |  $3\frac{3}{4}$ " (95 mm)

**For metal door installations, suitable reinforcement is required to support latch in center of door and to prevent lateral movement.**



Dimensions shown in parentheses ( ) are in millimeters.

Door preparation template

# A864