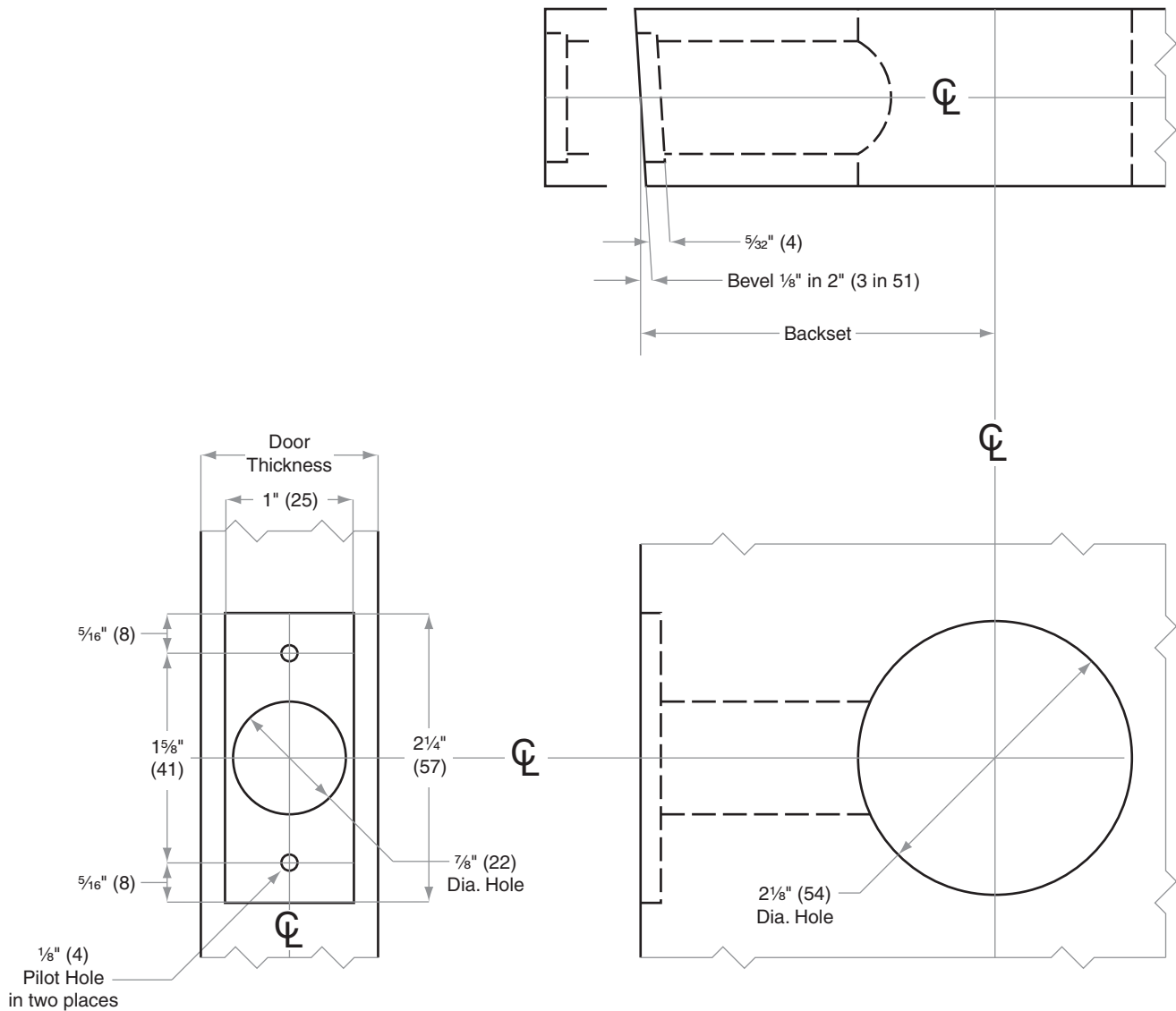




# A-Series

## Models A10–A85

- Door Type:** Wood or Composite, Flat or Beveled  
**Door Thickness:** 1 $\frac{3}{8}$ " (35 mm)–1 $\frac{7}{8}$ " (48 mm)  
**Faceplate:** Square Corner, 1" (25 mm) wide  
**Backsets:** 2 $\frac{3}{8}$ " (60 mm) | 2 $\frac{1}{4}$ " (70 mm) | 3 $\frac{3}{4}$ " (95 mm) | 5" (127 mm)



Dimensions shown in parentheses ( ) are in millimeters.

Door preparation template