

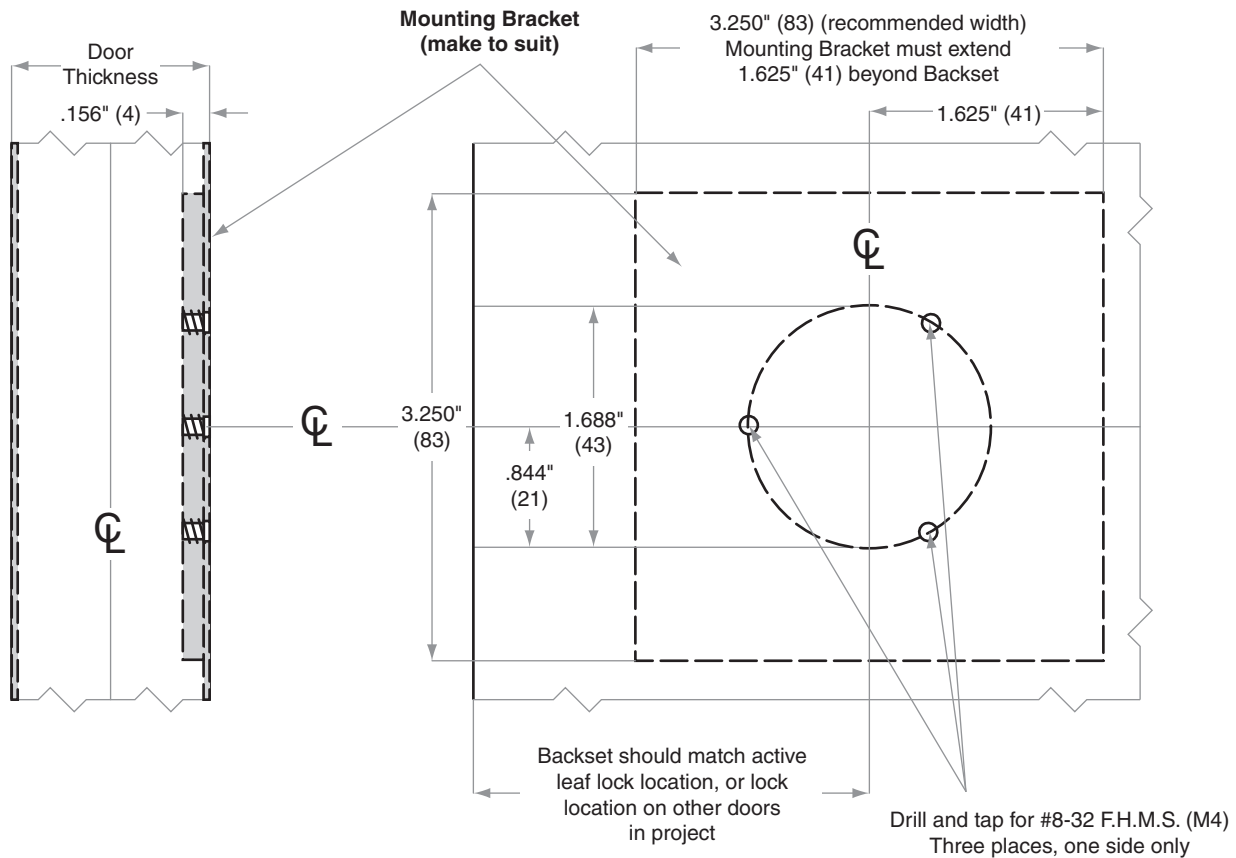


# A-Series

## Model A170

Door Type: Metal  
 Door Thickness: Various  
 Faceplate: None  
 Backsets: Any, surface mounted

**This door preparation is oriented for Right Hand (RH) and Right Hand Reverse (RHR) doors. For Left Hand (LH) and Left Hand Reverse (LHR) doors, mounting screw location must be rotated 180°**



Dimensions shown in parentheses ( ) are in millimeters.

Door preparation template