

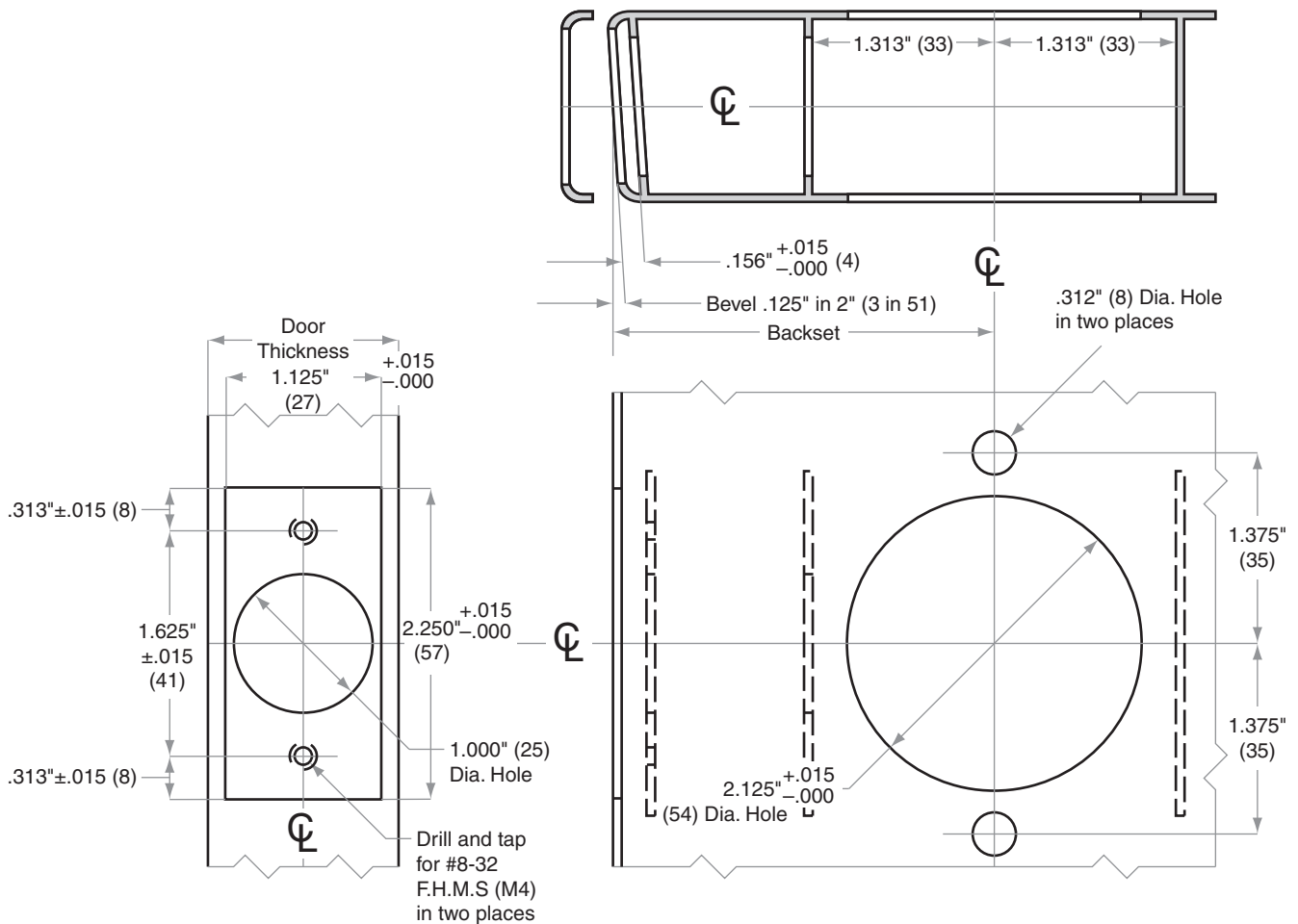


AL-Series

Models AL10– AL85

- Door Type:** Metal, Flat or Beveled
Door Thickness: 1 $\frac{1}{8}$ " (35 mm)– 1 $\frac{7}{8}$ " (48 mm)
Faceplate: Square Corner, 1 $\frac{1}{8}$ " (29 mm) wide
Backsets: 2 $\frac{3}{8}$ " (60 mm), **2 $\frac{3}{4}$ " (70 mm)**, 3 $\frac{3}{4}$ " (95 mm), 5" (127 mm)

For metal door installations, suitable reinforcement is required to support latch in center of door and to prevent lateral movement



Dimensions shown in parentheses () are in millimeters.

Door preparation template

AL889