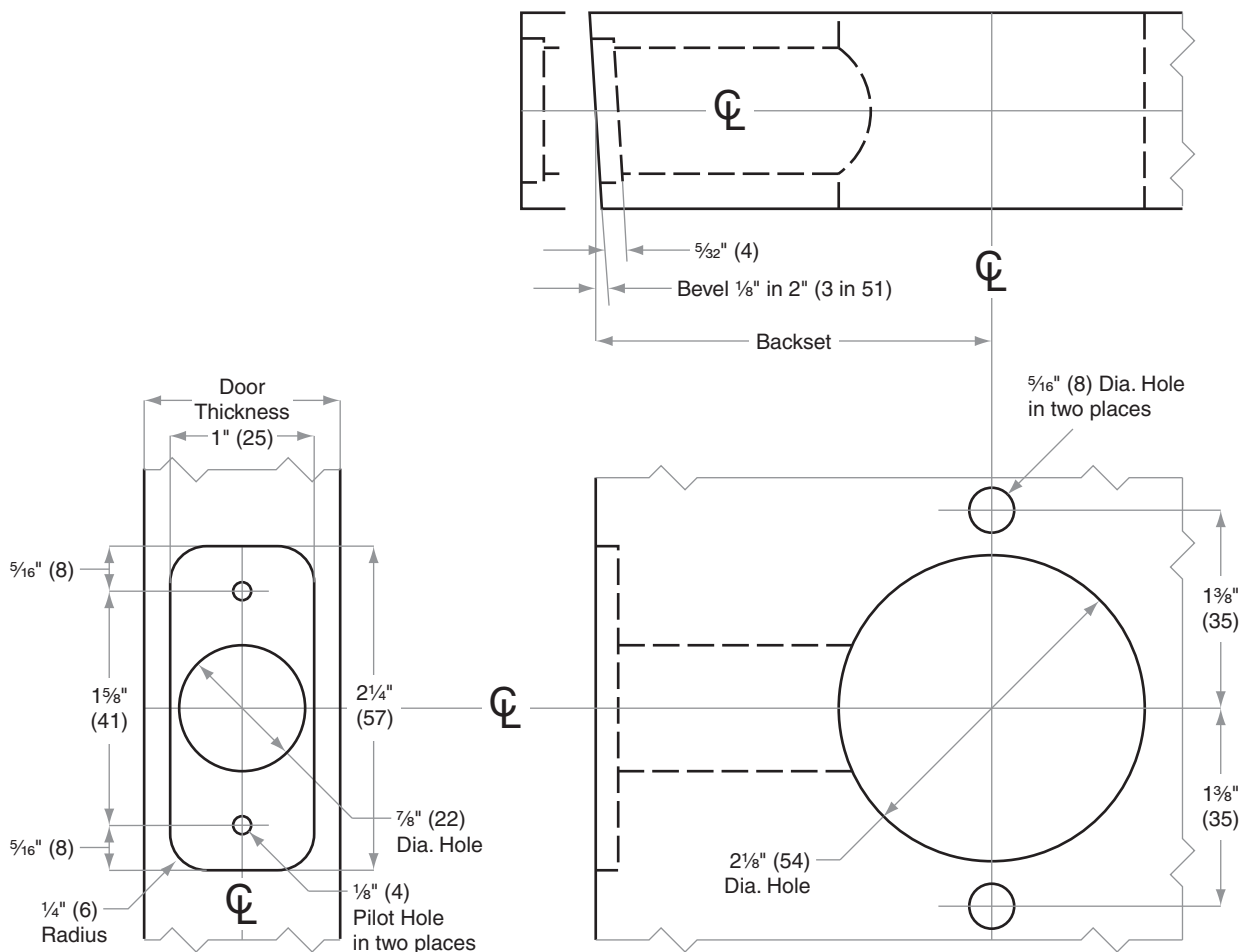




AL-Series

Models AL10– AL85

- Door Type:** Wood or Composite, Flat or Beveled
Door Thickness: 1 $\frac{1}{8}$ " (35 mm)–1 $\frac{7}{8}$ " (48 mm)
Faceplate: Round Corner, $\frac{1}{4}$ " (6 mm) Radius, 1" (25 mm) wide
Backsets: 2 $\frac{3}{8}$ " (60 mm), **2 $\frac{3}{4}$ " (70 mm)**, 3 $\frac{3}{4}$ " (95 mm), 5" (127 mm)



Dimensions shown in parentheses () are in millimeters.

Door preparation template