

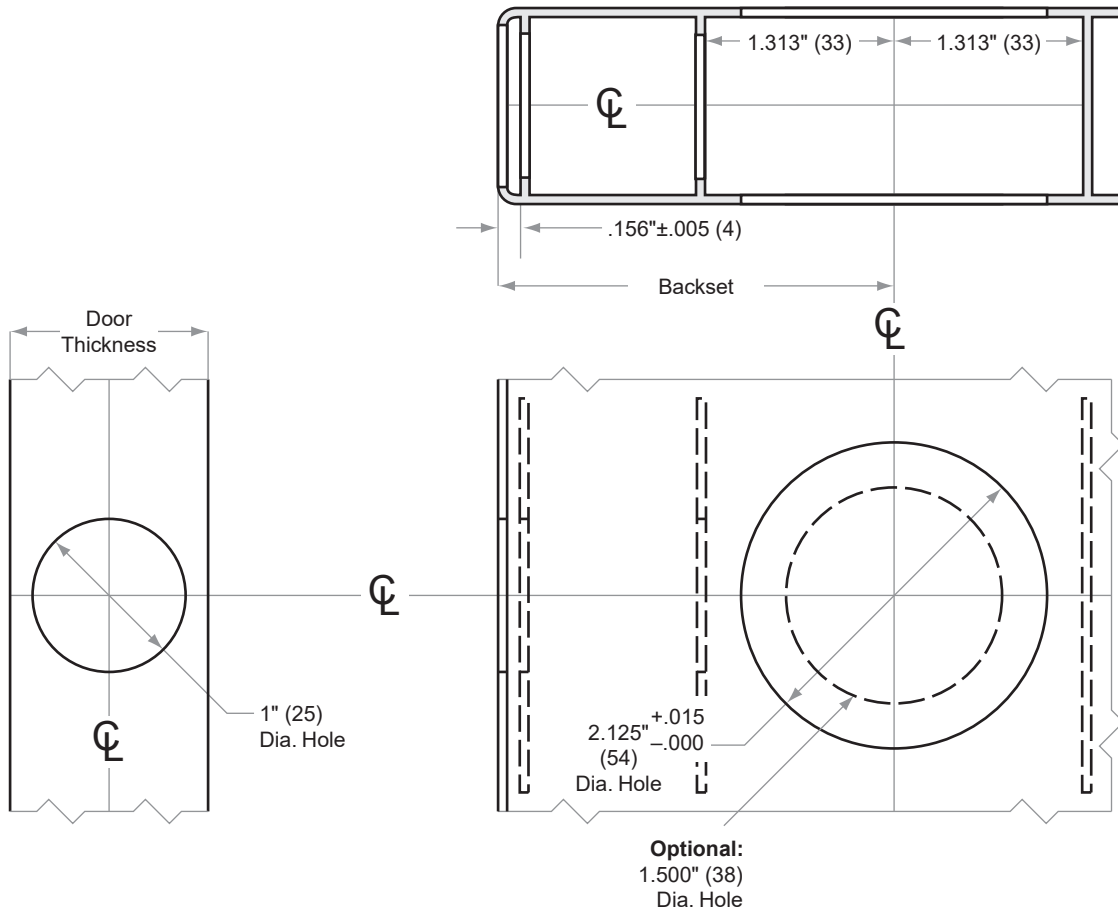


# B500-Series

Models B560, B561, B562, B563

- Door Type: Metal, Flat
- Door Thickness: 1 3/8" (35 mm)–1 7/8" (48 mm)
- Faceplate: Circular Drive In
- Backsets: 2 3/8" (60 mm), 2 3/4" (70 mm), 5" (127 mm)

**For metal door installations, suitable reinforcement is required to support latch in center of door and to prevent lateral movement**



**2 1/8" bore required with indicator trim**

Dimensions shown in parentheses ( ) are in millimeters.

Door preparation template