

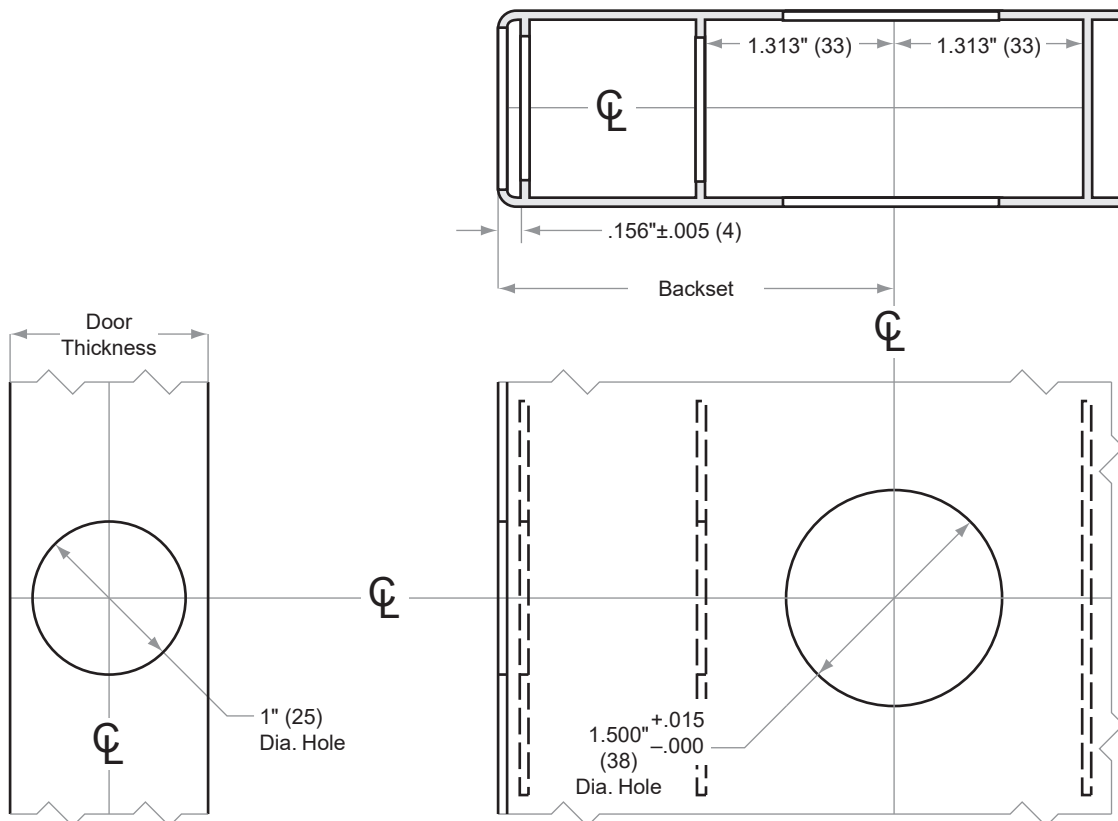


B500-Series

Models B571, B581

Door Type: Metal, Flat
 Door Thickness: 1 $\frac{1}{8}$ " (35 mm)–1 $\frac{7}{8}$ " (48 mm)
 Faceplate: Circular Drive-In
 Backsets: 2 $\frac{3}{8}$ " (60 mm), 2 $\frac{3}{4}$ " (70 mm), 5" (127 mm)

For metal door installations, suitable reinforcement is required to support latch in center of door and to prevent lateral movement



2 $\frac{1}{8}$ " bore required with indicator trim

Dimensions shown in parentheses () are in millimeters.

Door preparation template