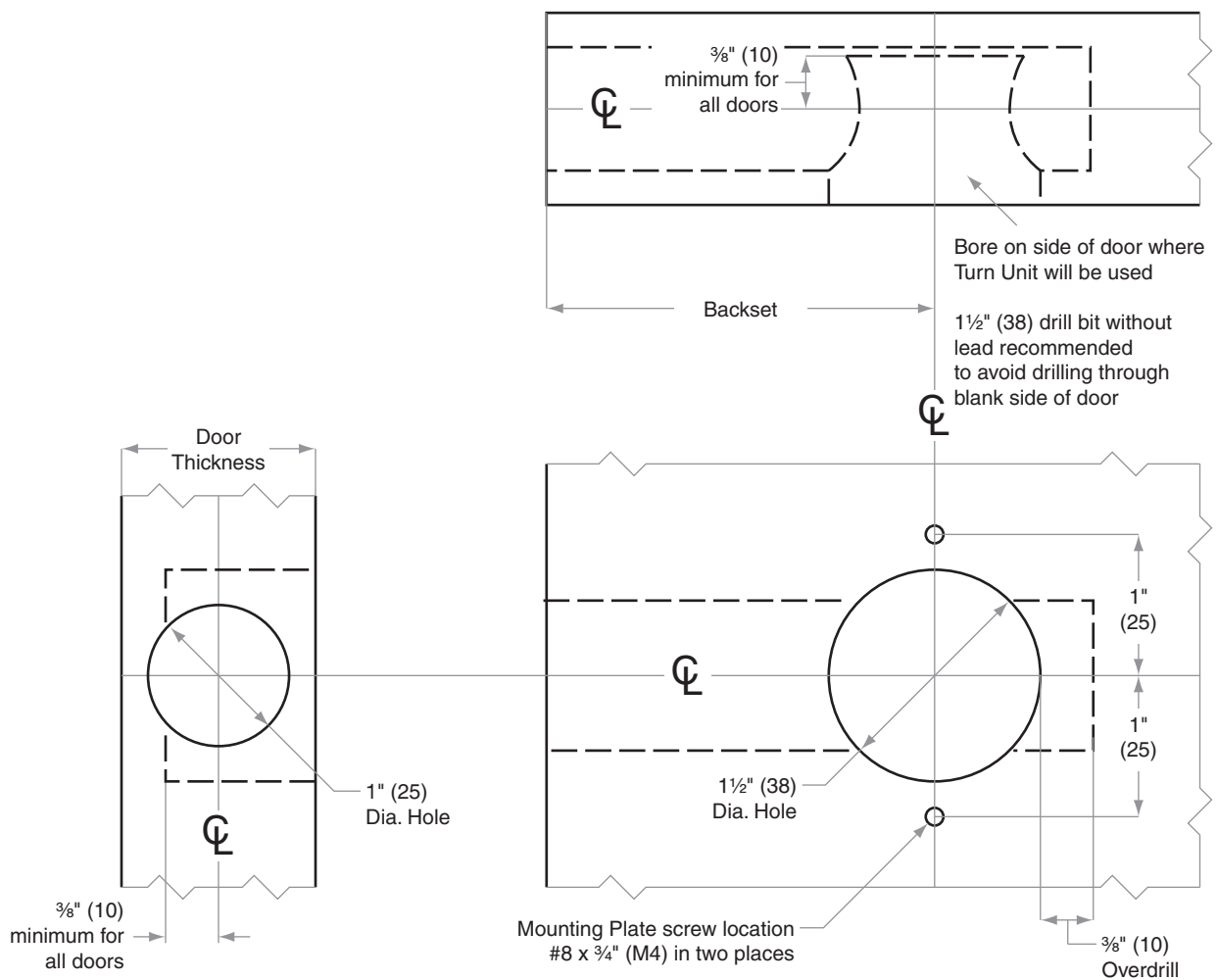




# B500-Series

## Models B580

Door Type: Wood or Composite, Flat  
Door Thickness: 1 $\frac{3}{8}$ " (35 mm)–2 $\frac{1}{4}$ " (57 mm)  
Faceplate: Circular Drive-In  
Backsets: 2 $\frac{3}{8}$ " (60 mm), 2 $\frac{3}{4}$ " (70 mm), 5" (127 mm)



Dimensions shown in parentheses ( ) are in millimeters.

Door preparation template