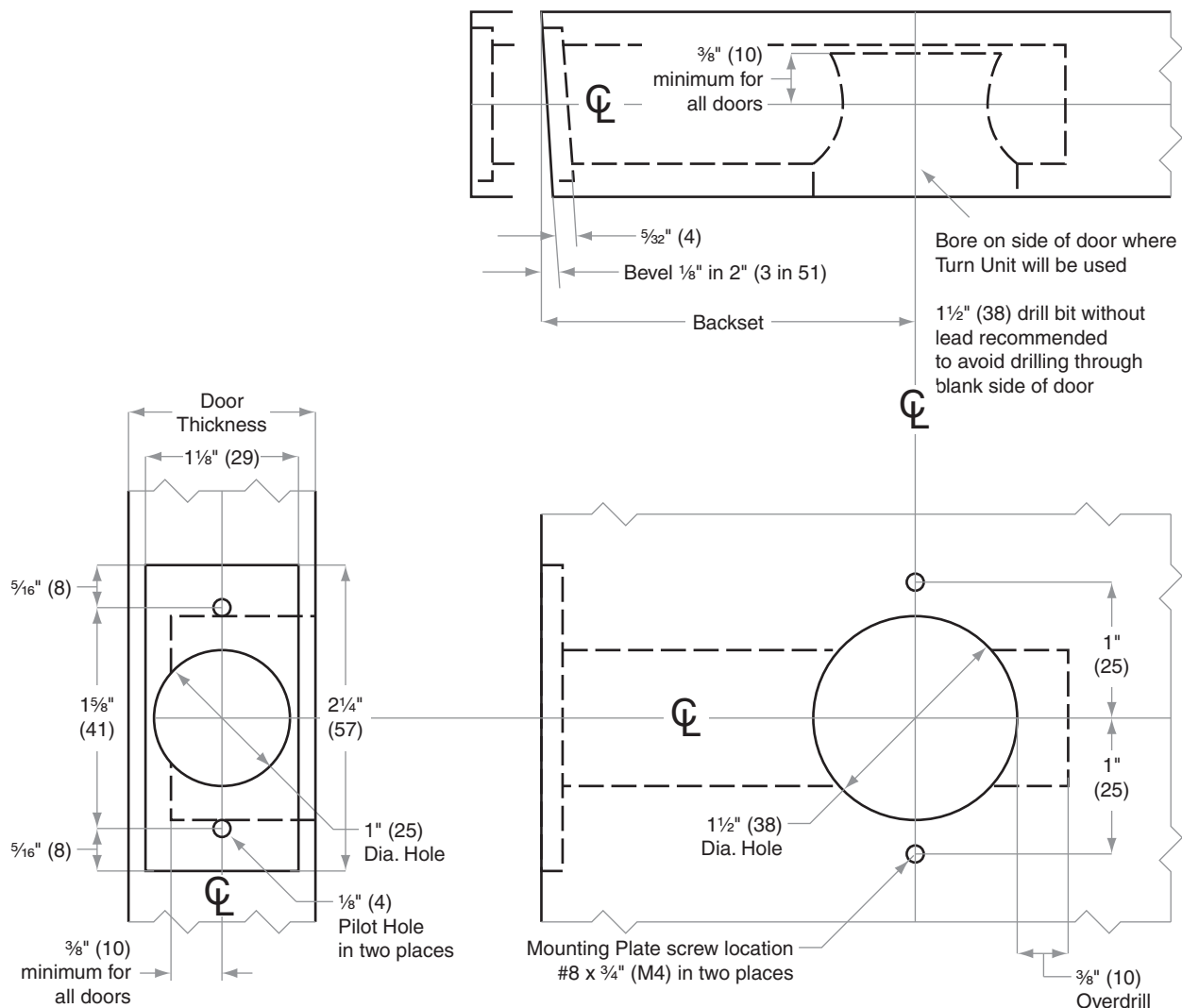




B500-Series

Models B580

Door Type: Wood or Composite, Flat or Beveled
Door Thickness: 1 3/8" (35 mm)–2 1/4" (57 mm)
Faceplate: Square Corner, 1 1/8" (29 mm) wide
Backsets: 2 3/8" (60 mm), 2 3/4" (70 mm), 5" (127 mm)



Dimensions shown in parentheses () are in millimeters.

Door preparation template