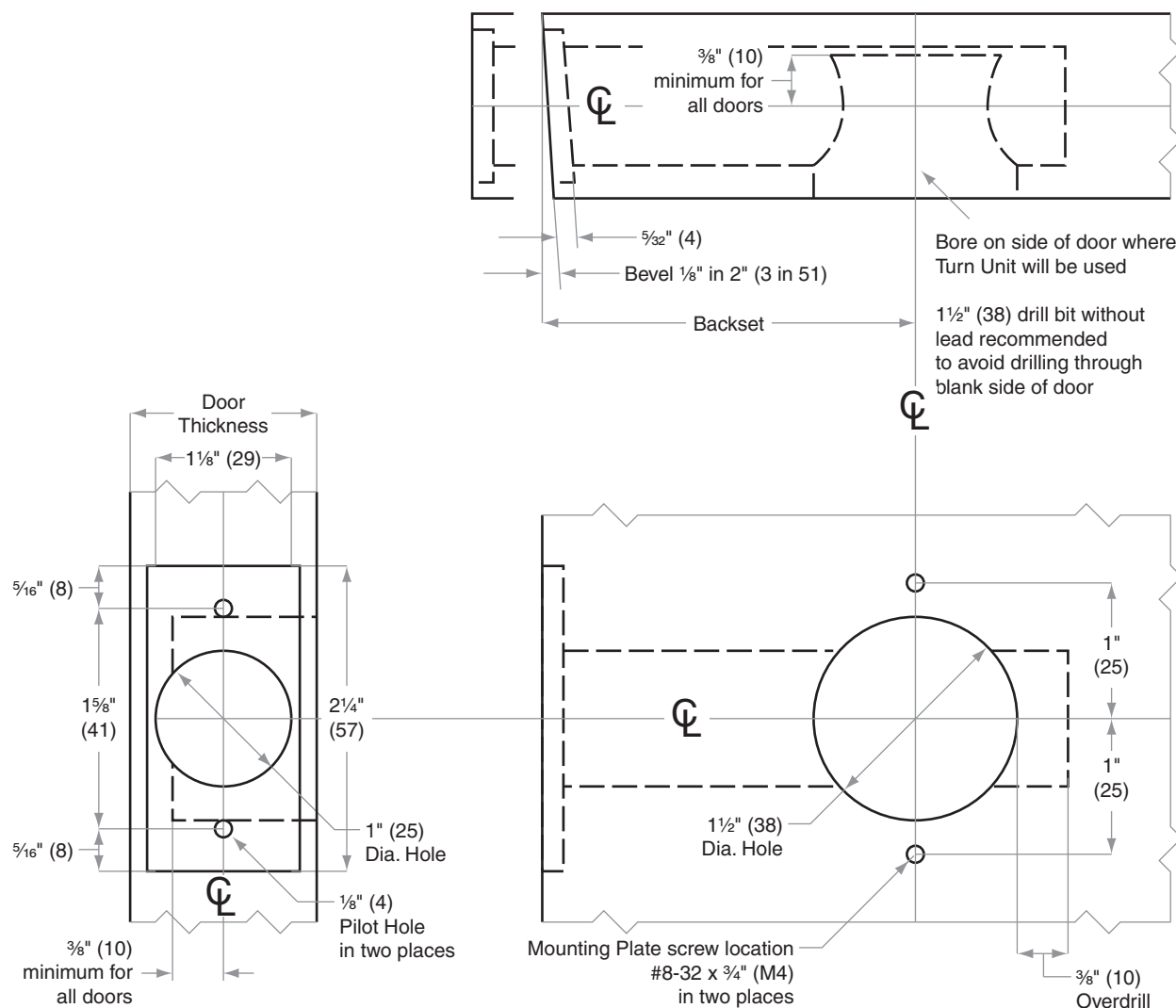




B600-Series

Models B680

- Door Type:** Wood or Composite, Flat or Beveled
Door Thickness: 1 $\frac{3}{8}$ " (35 mm)–2 $\frac{1}{2}$ " (64 mm)
Faceplate: Square Corner, 1 $\frac{1}{8}$ " (29 mm) wide
Backsets: 2 $\frac{3}{8}$ " (60 mm), 2 $\frac{3}{4}$ " (70 mm), 3 $\frac{3}{4}$ " (95 mm), 5" (127 mm)



Dimensions shown in parentheses () are in millimeters.

Door preparation template