

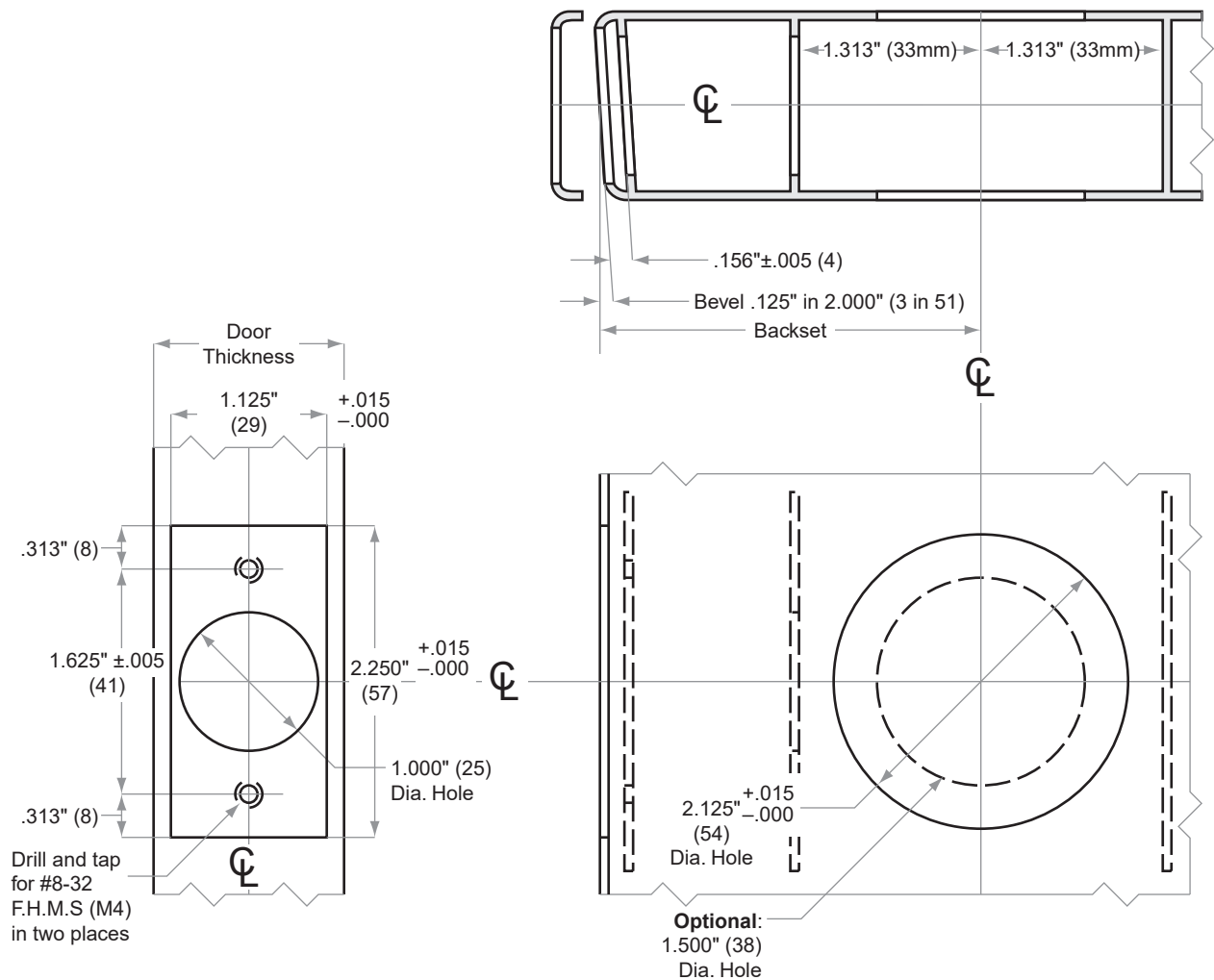


B600/700/800-Series

Models B660/661/662/663, B760/761/762/763,
B860/861/862/863

- Door Type: Metal, Flat or Beveled
- Door Thickness: 1 $\frac{1}{8}$ " (35 mm)–2 $\frac{1}{2}$ " (64 mm)
- Faceplate: Square Corner, 1 $\frac{1}{8}$ " (29 mm) wide
- Backsets: 2 $\frac{3}{8}$ " (60 mm), 2 $\frac{3}{4}$ " (70 mm), 3 $\frac{3}{4}$ " (95 mm), 5" (127 mm)

For metal door installations, suitable reinforcement is required to support latch in center of door and to prevent lateral movement



2 $\frac{1}{8}$ " bore required with indicator trim

Dimensions shown in parentheses () are in millimeters.

Door preparation template