

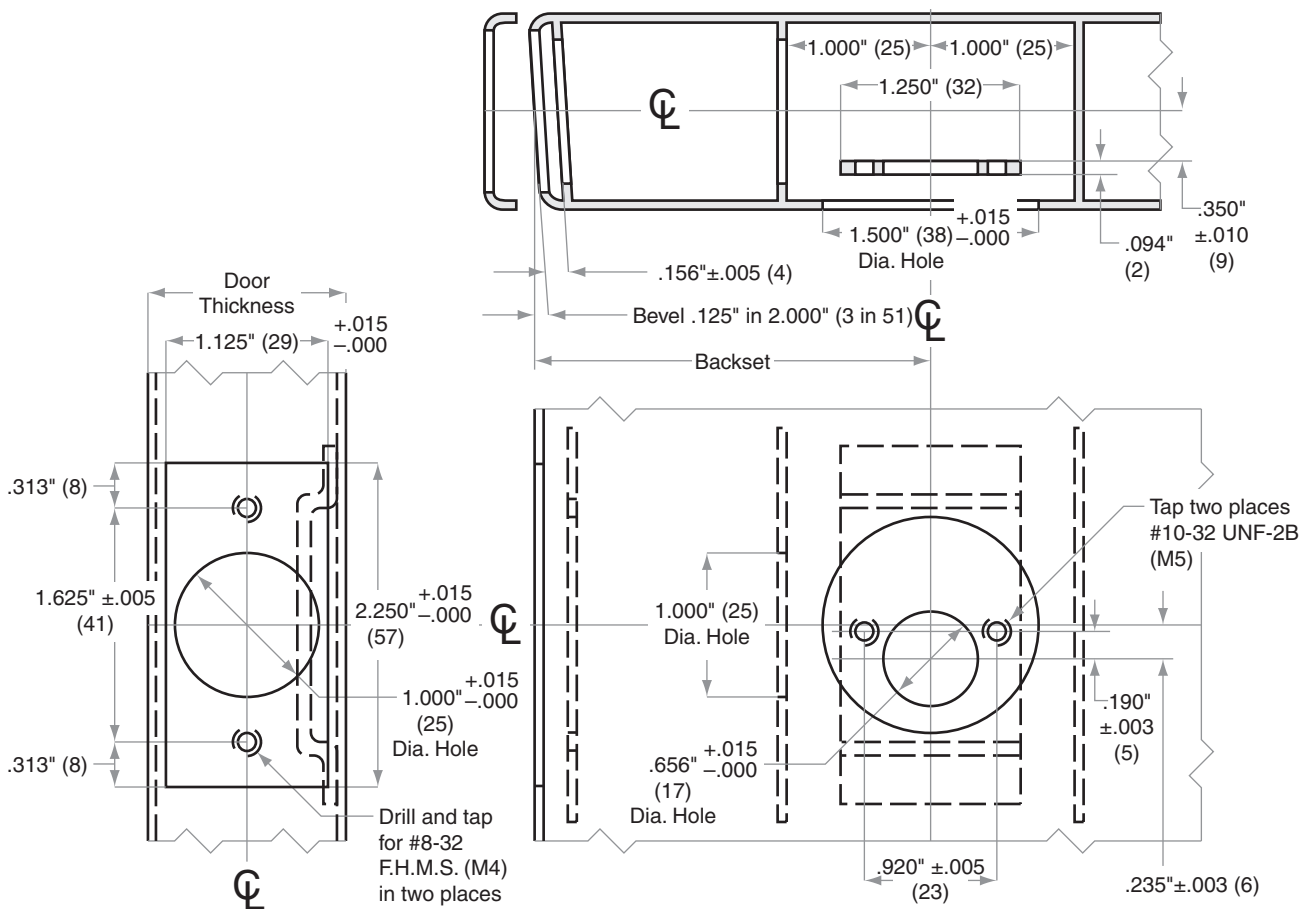


B600/700/800-Series

Models B664, B680, B764, B864

- Door Type: Metal, Flat or Beveled
- Door Thickness: 1 $\frac{3}{8}$ " (35 mm)–2 $\frac{1}{2}$ " (64 mm)
- Faceplate: Square Corner, 1 $\frac{1}{8}$ " (29 mm) wide
- Backsets: 2 $\frac{3}{8}$ " (60 mm), 2 $\frac{3}{4}$ " (70 mm), 3 $\frac{3}{4}$ " (95 mm), 5" (127 mm)

For metal door installations, suitable reinforcement is required to support latch in center of door and to prevent lateral movement



Dimensions shown in parentheses () are in millimeters.

Door preparation template