

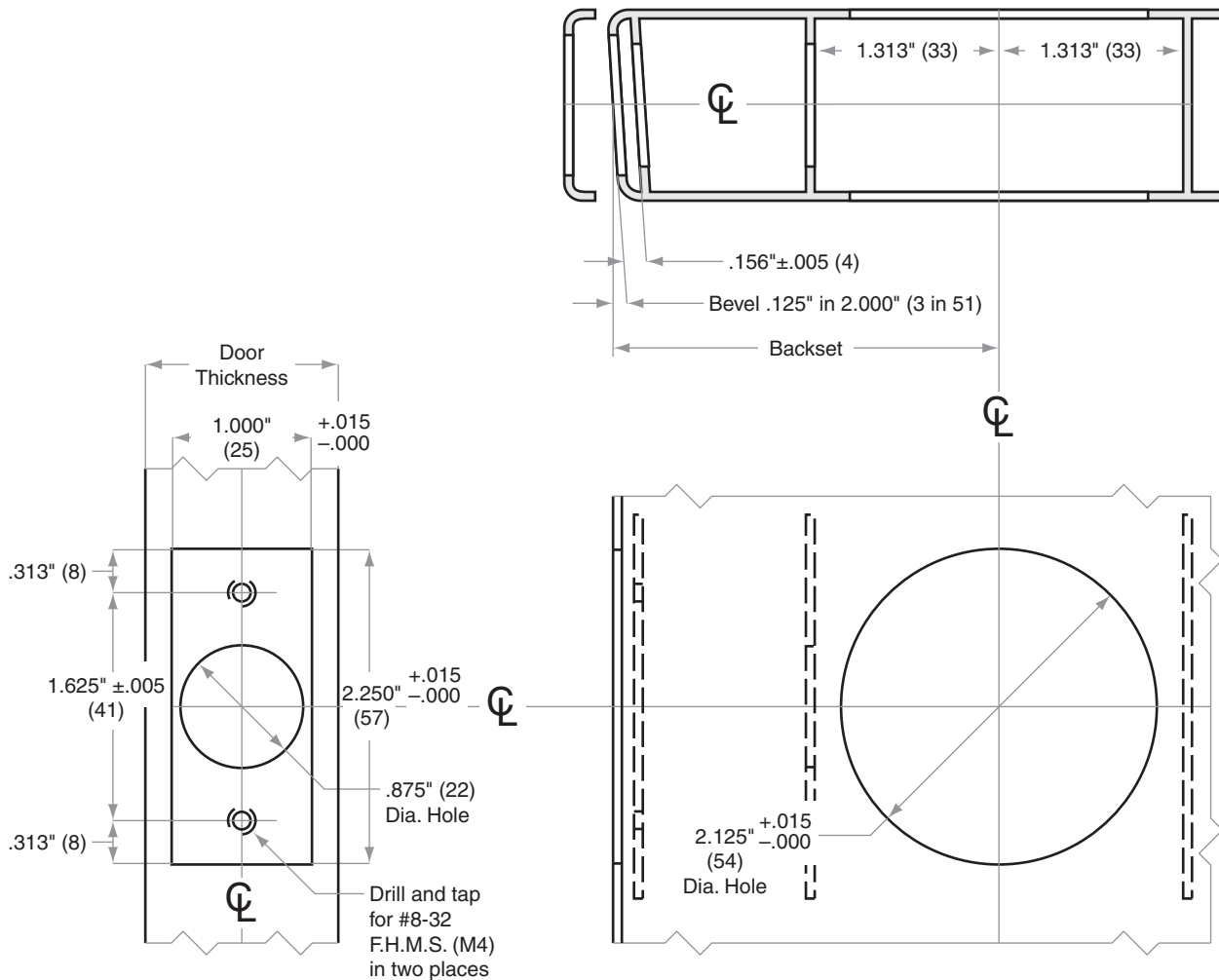


BC100 and B/BA300-Series

Models BC160, BC162, B360, B362, BA360, BA362

- Door Type: Metal, Flat or Beveled
- Door Thickness: 1 $\frac{3}{8}$ " (35 mm)–2 $\frac{1}{4}$ " (57 mm)
- Faceplate: Square Corner, 1" (25 mm) wide
- Backsets: 2 $\frac{3}{8}$ " (60 mm), 2 $\frac{3}{4}$ " (70 mm), 5" (127 mm) (B/BA360/362 only)

For metal door installations, suitable reinforcement is required to support latch in center of door and to prevent lateral movement



Dimensions shown in parentheses () are in millimeters.

Door preparation template