

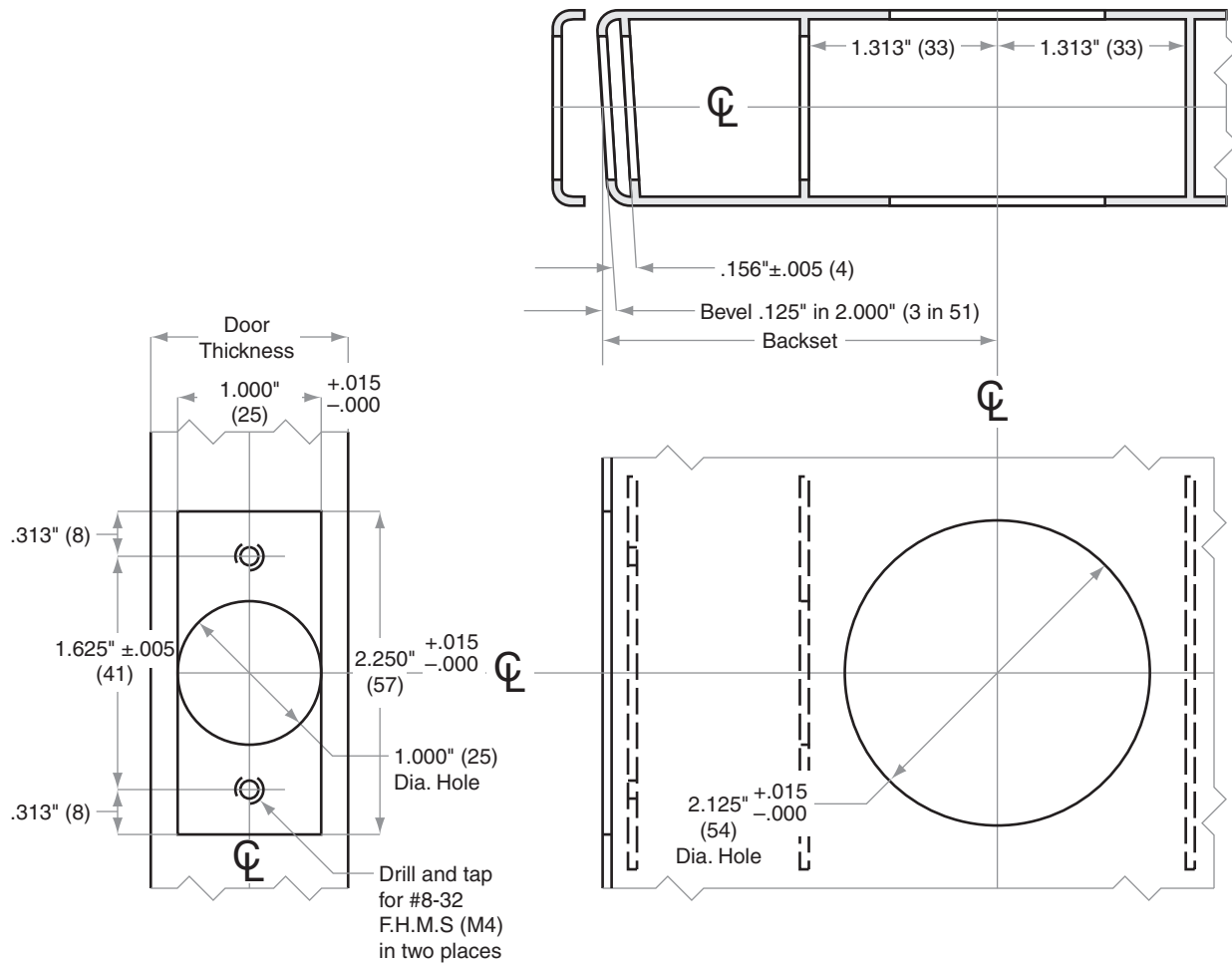


# BR260-Series

## Models BR260, BR262

- Door Type: Metal, Flat or Beveled
- Door Thickness:  $1\frac{3}{8}$ " (35 mm)– $1\frac{7}{8}$ " (48 mm)
- Faceplate: Square Corner, 1" (25 mm) wide
- Backsets:  $2\frac{3}{8}$ " (60 mm),  $2\frac{3}{4}$ " (70 mm)

For metal door installations, suitable reinforcement is required to support latch in center of door and to prevent lateral movement



Dimensions shown in parentheses ( ) are in millimeters.

Door preparation template