

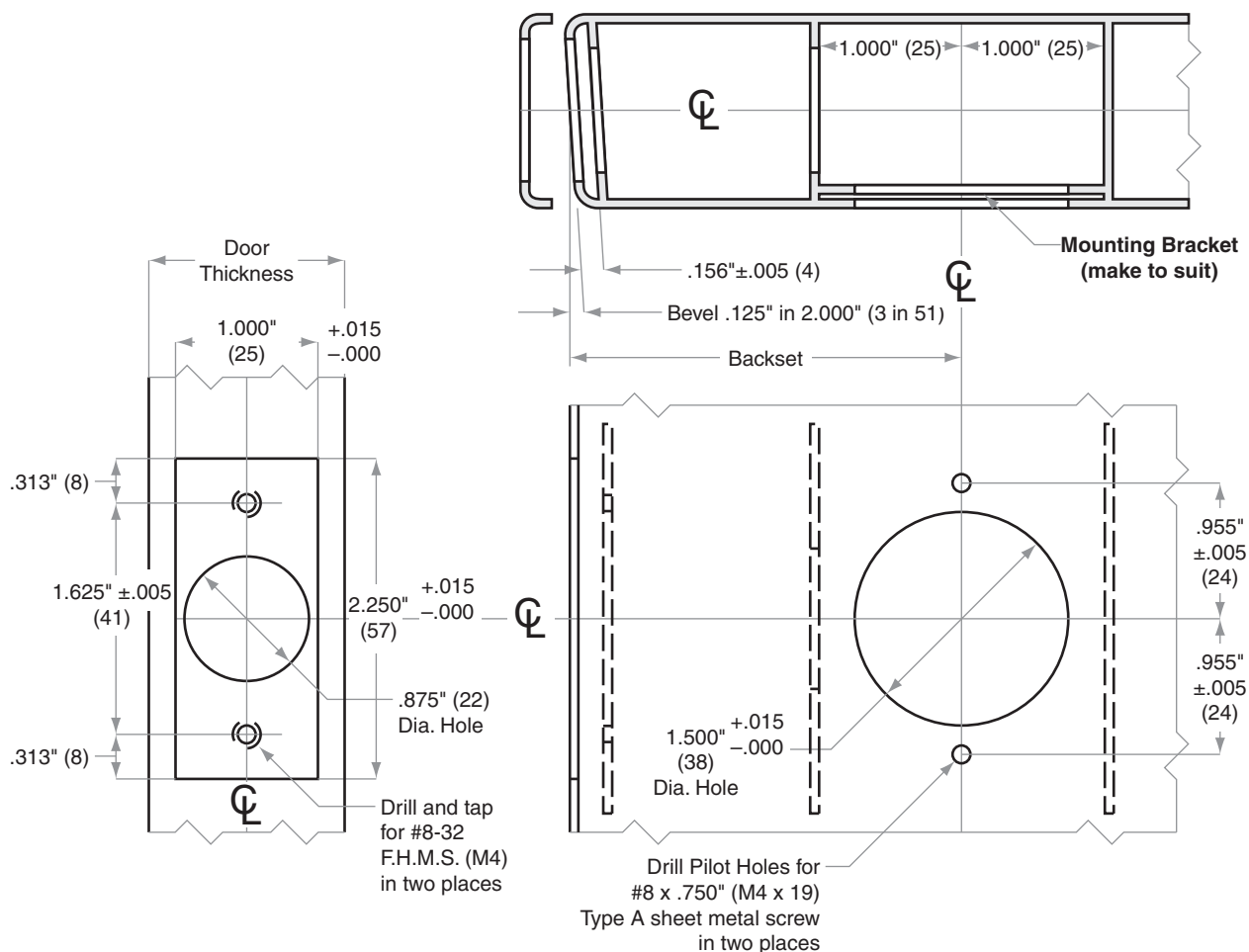


B/BA300-Series

Models B380, BA380

Door Type: Metal, Flat or Beveled
 Door Thickness: Various
 Faceplate: Square Corner, 1" (25 mm) wide
 Backsets: 2 $\frac{3}{8}$ " (60 mm), 2 $\frac{3}{4}$ " (70 mm), 5" (127 mm)

For metal door installations, suitable reinforcement is required to support latch in center of door and to prevent lateral movement.



Dimensions shown in parentheses () are in millimeters.

Door preparation template