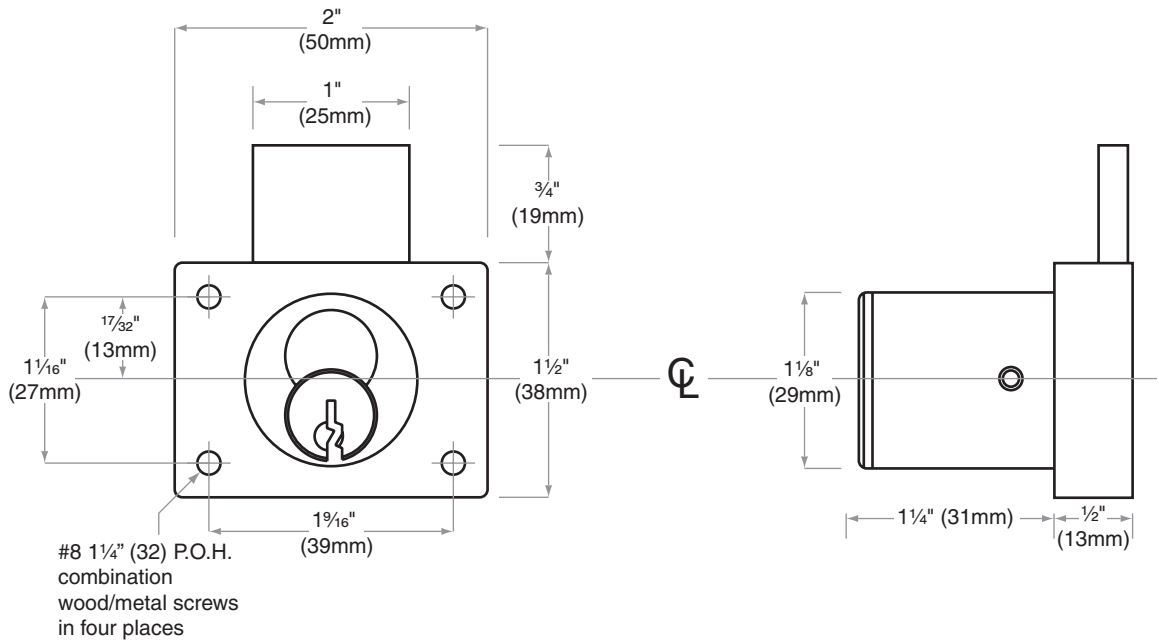
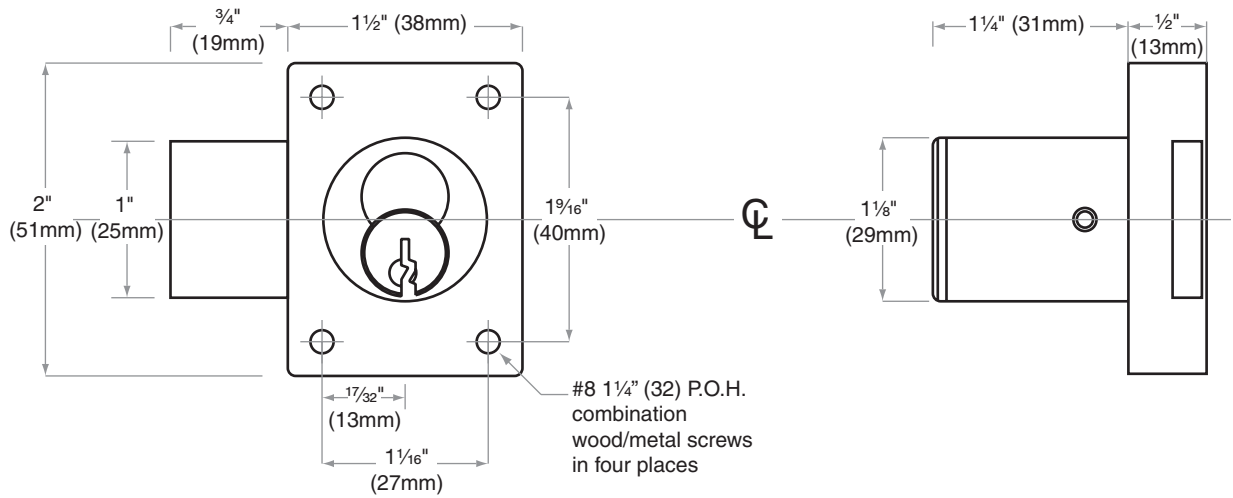




# CL-Series

## CL721, CL771

Door Type: Wood, Composite or Metal  
 Door Thickness: 7/8" (22 mm), 1" (25 mm) 1 1/8" (29 mm)



Dimensions shown in parentheses ( ) are in millimeters.

Door preparation template

# CL890