



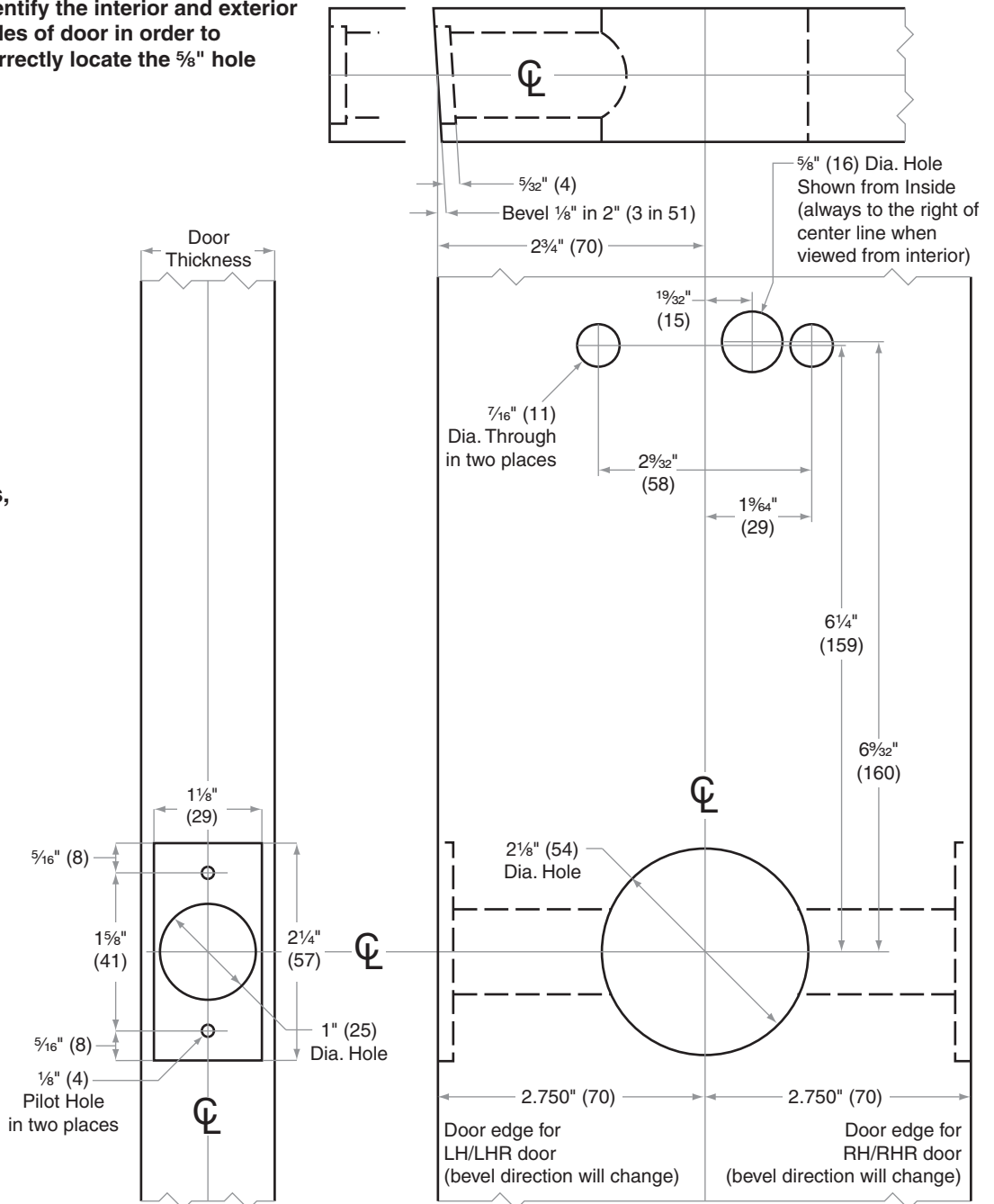
CO-Series

Model CO-100-CY

Door Type: Wood or Composite, Flat or Beveled
 Door Thickness: 1 3/8" (35 mm) – 2 3/4" (70 mm)
 Faceplate: Square Corner, 1 1/8" (29 mm) wide
 Backsets: 2 3/4" (70 mm), 2 3/8" (60 mm), 3 3/4" (95 mm), 5 3/4" (146 mm)

IMPORTANT - It is critical to identify the interior and exterior sides of door in order to correctly locate the 5/8" hole

For Strike dimensions, see Templates J918, J919, J928, and J929



Dimensions shown in parentheses () are in millimeters.

Door preparation template

CO101