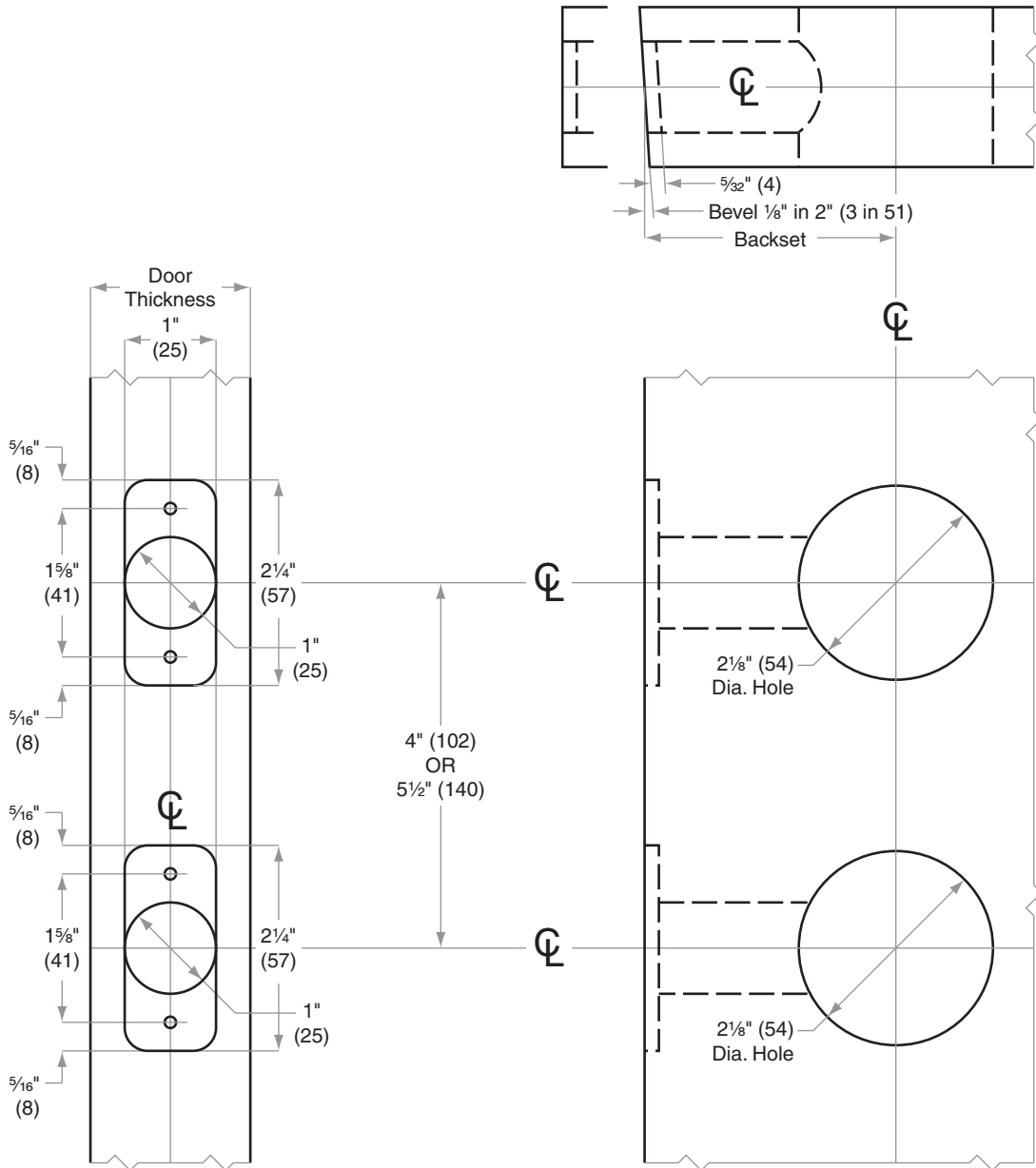




# CS-Series

## Model CS210

- Door Type:** Wood or Composite, Flat or Beveled  
**Door Thickness:** 1 $\frac{3}{4}$ " (44 mm) – 2" (51 mm)  
**Faceplate:** Rounded Corner, 1" (25 mm) wide  
**Backsets:** 2 $\frac{3}{8}$ " (60 mm), 2 $\frac{3}{4}$ " (70 mm)



Dimensions shown in parentheses ( ) are in millimeters.

Door preparation template