

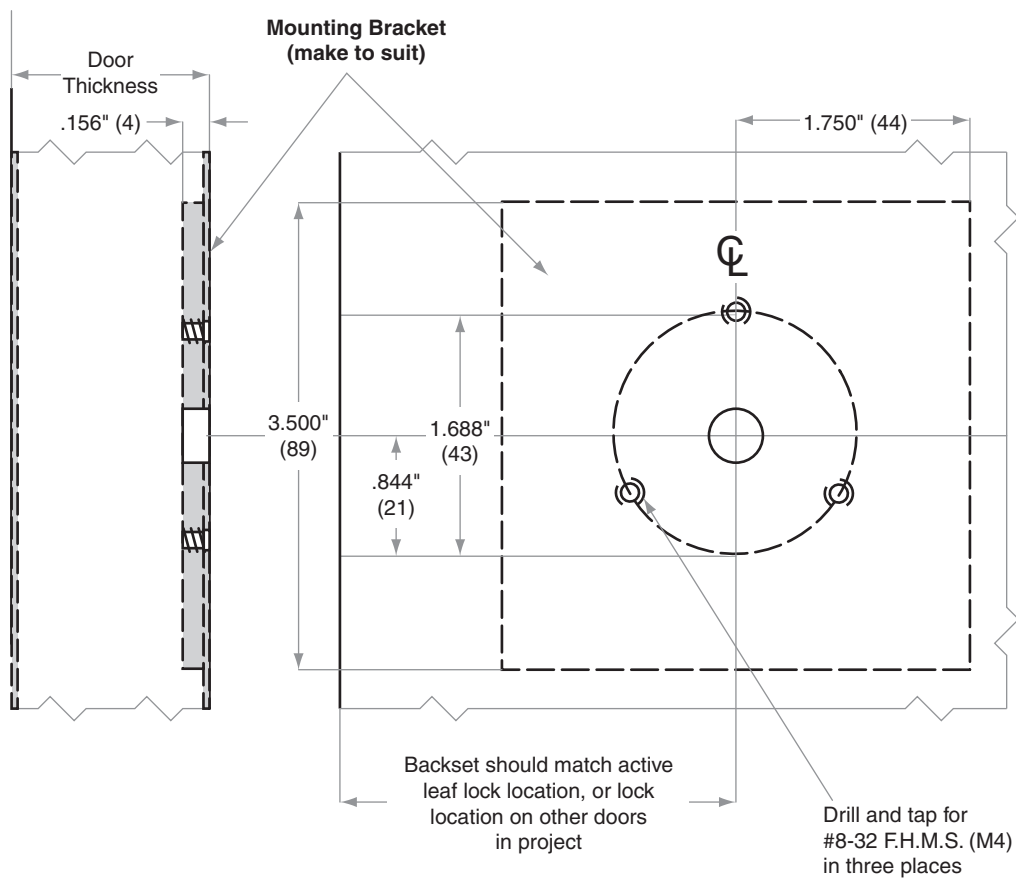


D-Series Knobs

Model D170

Door Type: Metal
Door Thickness: Various
Faceplate: None
Backsets: Any

This door preparation is oriented for Right Hand (RH) and Right Hand Reverse (RHR) doors. For Left Hand (LH) and Left Hand Reverse (LHR) doors, mounting screw location must be rotated 180°



Dimensions shown in parentheses () are in millimeters.

Door preparation template