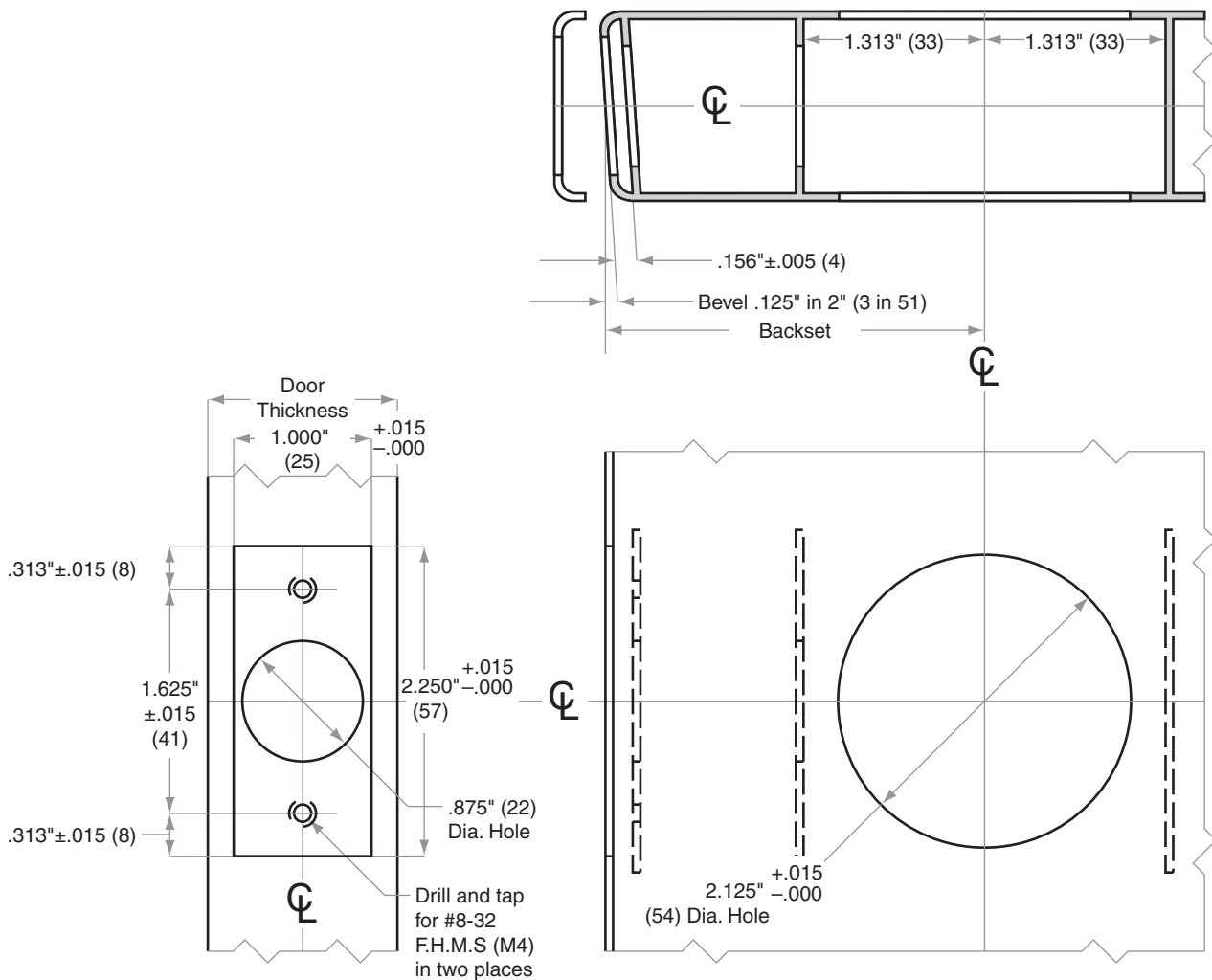


D-Series Knobs

Models D10–D85, D12EL/EU, D80PDEL/EU

- Door Type:** Metal
Door Thickness: 1 $\frac{3}{8}$ " (35 mm)–2" (51 mm)
Faceplate: Square Corner, 1" (25 mm) wide
Backsets: 2 $\frac{3}{8}$ " (60 mm), **2 $\frac{3}{4}$ " (70 mm)**, 3 $\frac{3}{4}$ " (95 mm), 5" (127 mm), other

For metal door installations, suitable reinforcement is required to support latch in center of door and to prevent lateral movement



Dimensions shown in parentheses () are in millimeters.

Door preparation template

D875