

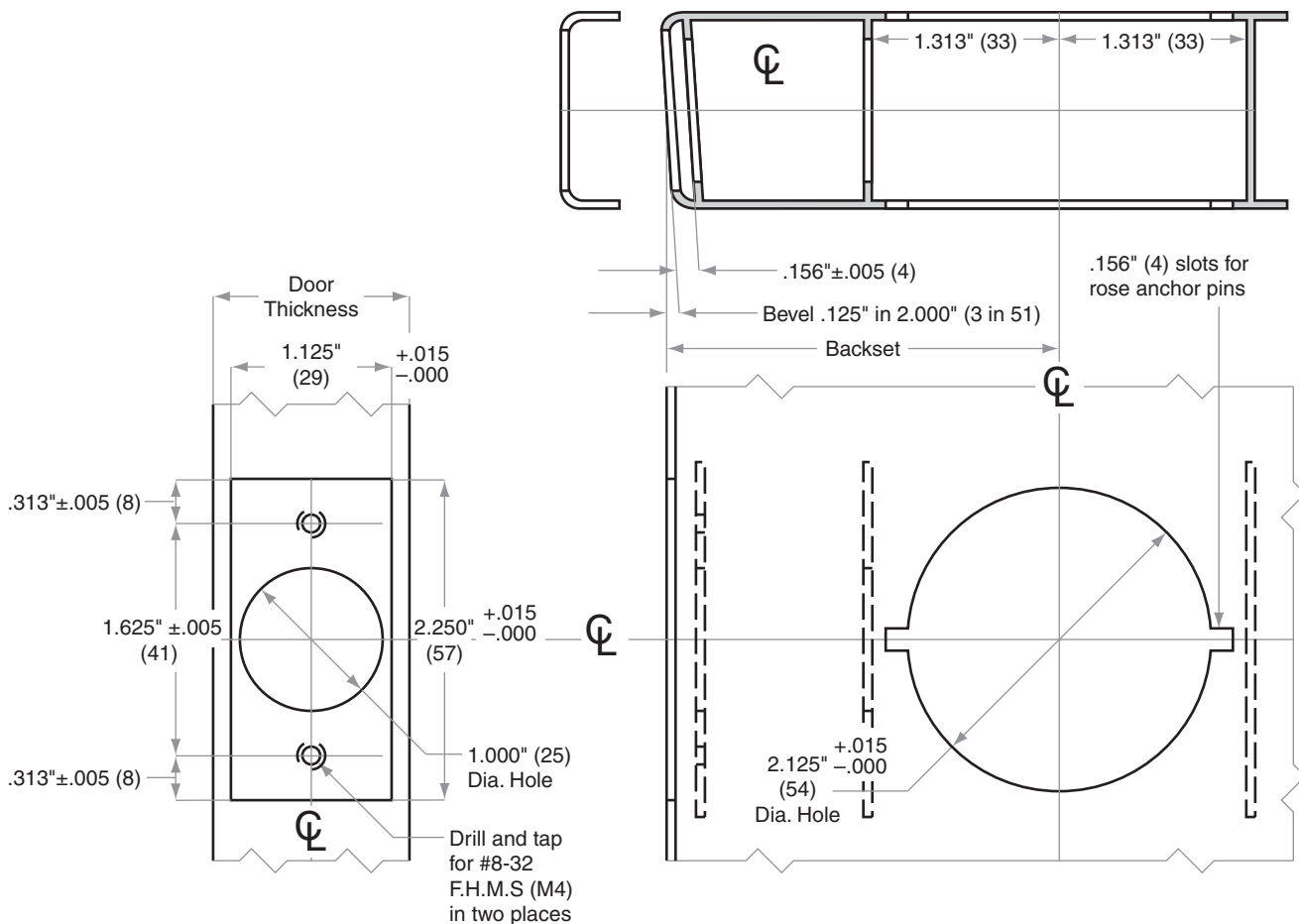


# D-Series Knobs

Models D10–D85, D12EL/EU, D80PDEL/EU

- Door Type: Metal, Flat or Beveled
- Door Thickness: 1½" (35 mm)–2" (51 mm)
- Faceplate: Square Corner, 1½" (29 mm) wide
- Backsets: 2¾" (60 mm), **2¾" (70 mm)**, 3¾" (95 mm), 5" (127 mm), other

**For metal door installations, suitable reinforcement is required to support latch in center of door and to prevent lateral movement**



Dimensions shown in parentheses ( ) are in millimeters.

Door preparation template

# D865