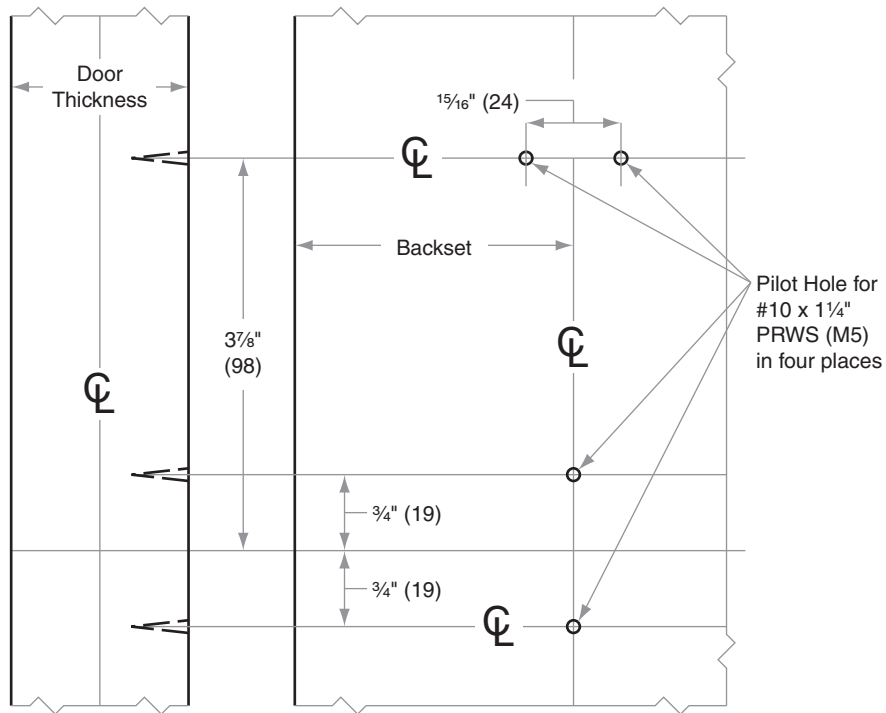




H-Series

H170

Door Type: Wood or Composite
Door Thickness: Various, surface mounted
Faceplate: None
Backsets: Any



Dimensions shown in parentheses () are in millimeters.

Door preparation template