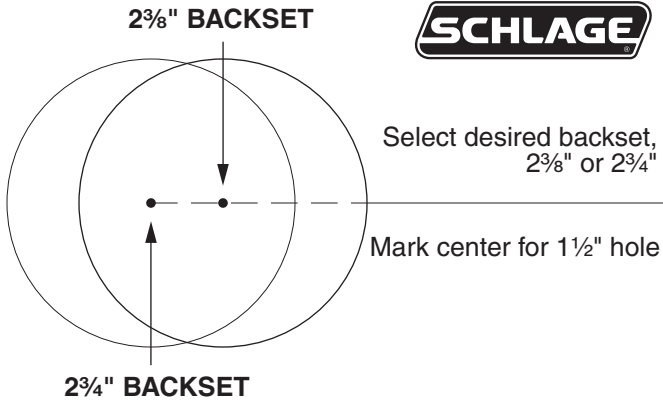




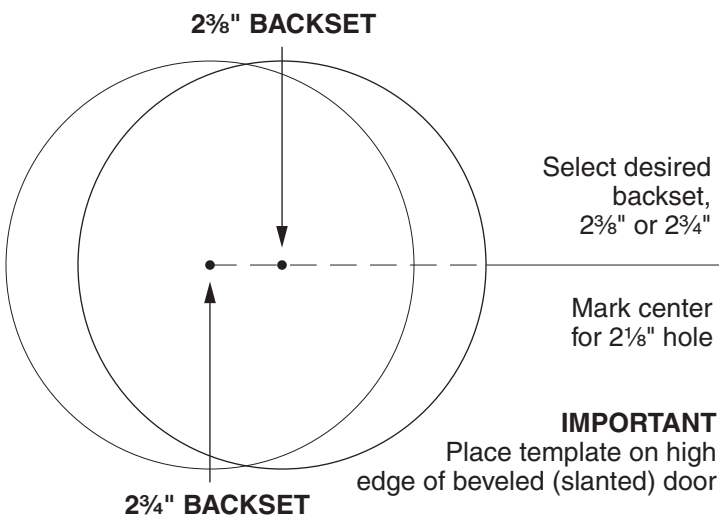
P509-688



NOTE: Do not drill door edge holes when installing Dummy Trim



INSTALLATION TEMPLATE



FOLD HERE ON EDGE OF DOOR

Mark center of door thickness in slots for 7/8" or 1" holes, depending on latch and bolt housing diameter



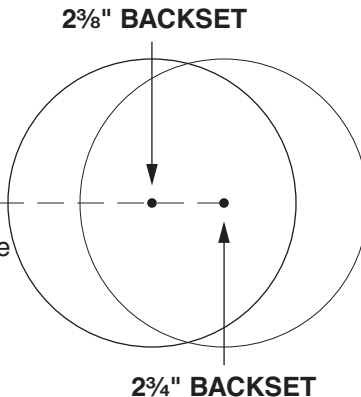
HEIGHT LINE FOR CENTERLINE OF DOORKNOB



NOTE: Do not drill door edge holes when installing Dummy Trim

Select desired backset, $2\frac{3}{8}$ " or $2\frac{3}{4}$ "

Mark center for $1\frac{1}{2}$ " hole



INSTALLATION TEMPLATE

Customer Service
1-877-671-7011 www.allegion.com/us

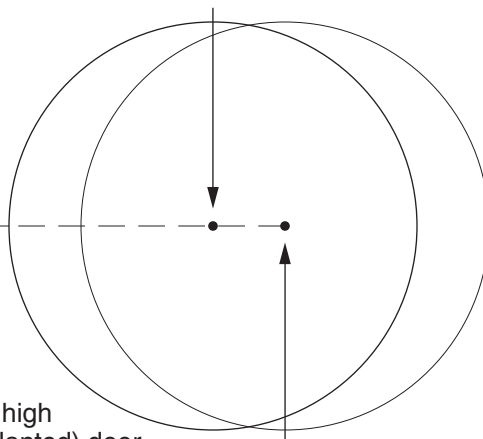
FOLD HERE ON EDGE OF DOOR

Mark center of door thickness in slots for $\frac{7}{8}$ " or 1" holes, depending on latch and bolt housing diameter

$2\frac{3}{8}$ " BACKSET

Select desired backset, $2\frac{3}{8}$ " or $2\frac{3}{4}$ "

Mark center for $2\frac{1}{8}$ " hole



IMPORTANT

Place template on high edge of beveled (slanted) door

$2\frac{3}{4}$ " BACKSET

HEIGHT LINE FOR CENTERLINE OF DOORKNOB

