

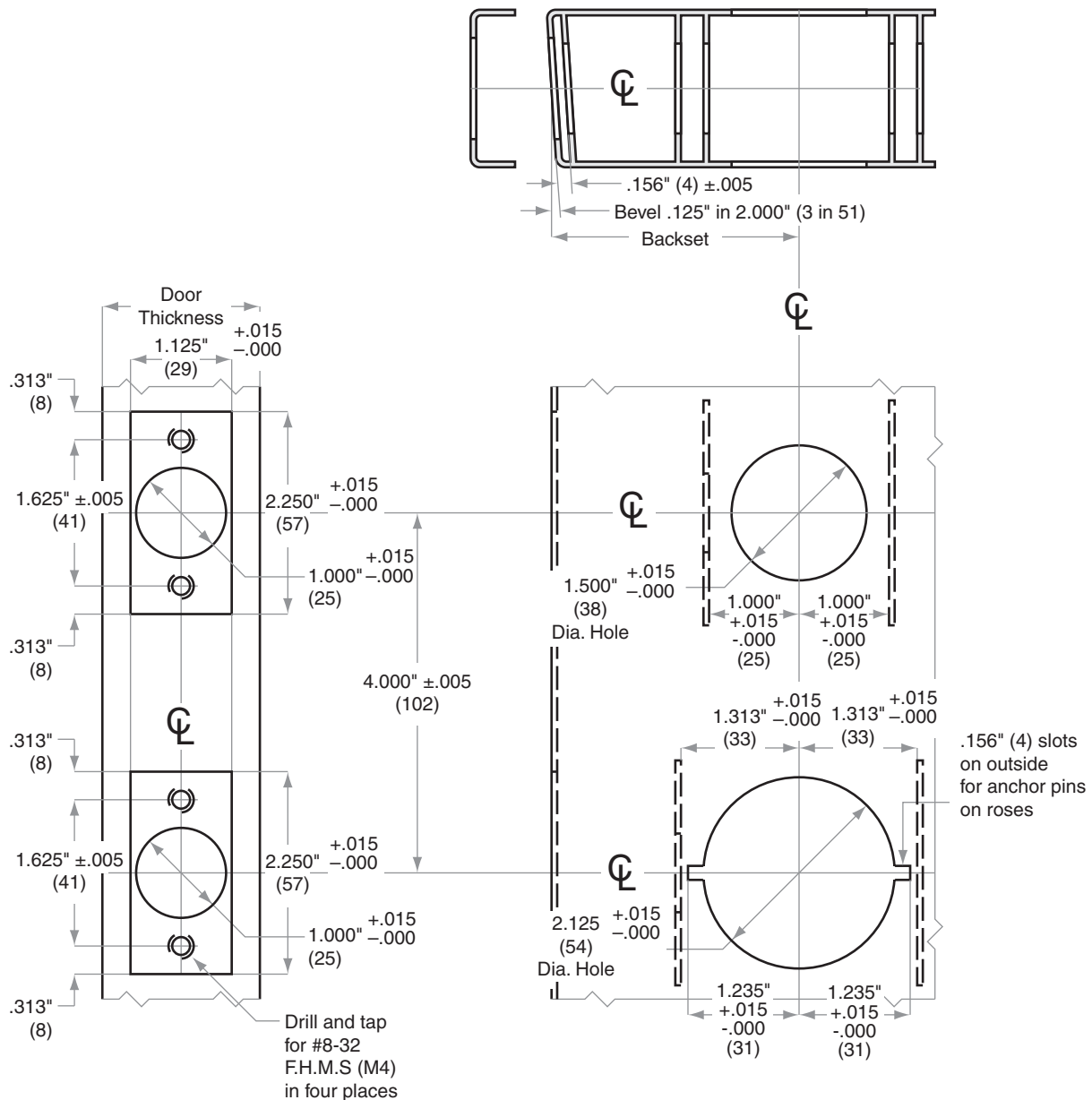


H-Series

H110, H153, H180, H185

Door Type: Metal, Flat or Beveled
 Door Thickness: 1 3/8" (35 mm)–1 3/4" (44 mm)
 Faceplate: Square Corner, 1 1/8" (29 mm) wide
 Backsets: 2 3/8" (60 mm) | 2 3/4" (70 mm)

For metal door installations, suitable reinforcement is required to support latch in center of door to prevent lateral movement



Dimensions shown in parentheses () are in millimeters.

Door preparation template

H872