

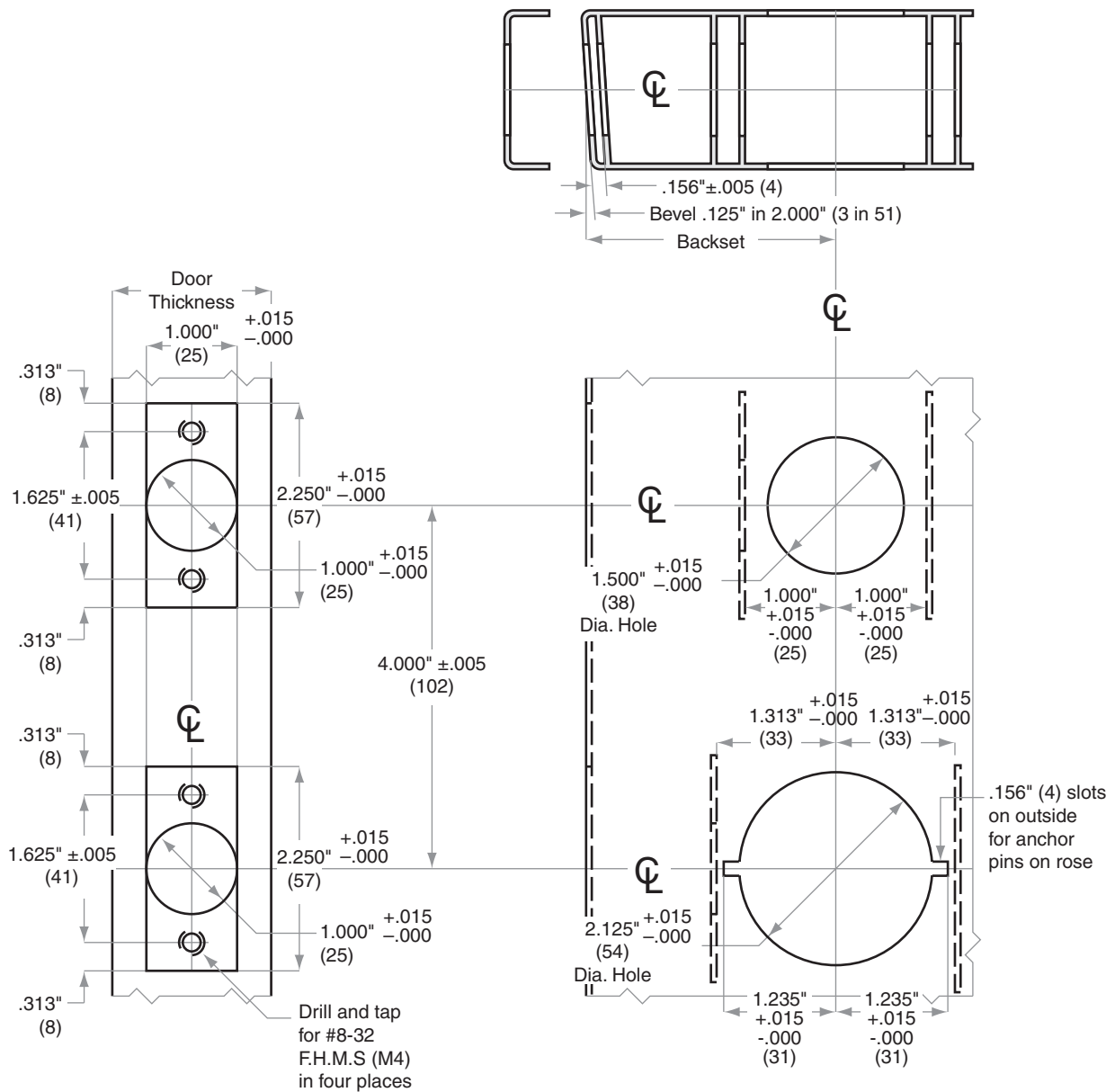


H-Series

H110, H153, H180, H185

Door Type: Metal, Flat or Beveled
Door Thickness: $1\frac{3}{8}$ " (35 mm)– $1\frac{3}{4}$ " (44 mm)
Faceplate: Square Corner, 1" (25 mm) wide
Backsets: $2\frac{3}{8}$ " (60 mm) | $2\frac{3}{4}$ " (70 mm)

For metal door installations, suitable reinforcement is required to support latch in center of door to prevent lateral movement



Dimensions shown in parentheses () are in millimeters.

Door preparation template