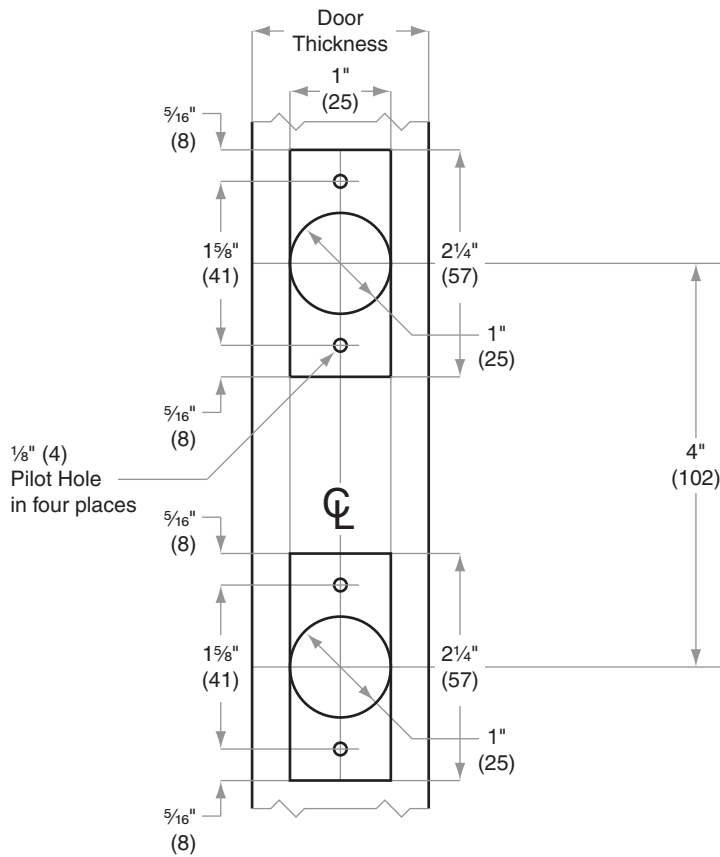
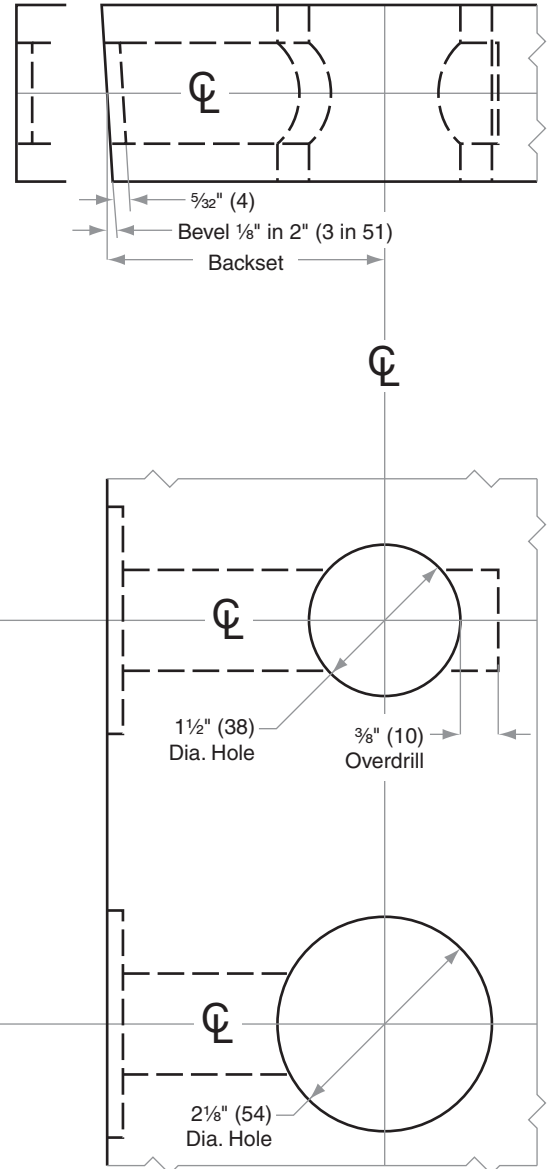




H-Series

Models H110, H153, H180, H185

Door Type: Wood or Composite, Flat or Beveled
 Door Thickness: 1 3/8" (35 mm)–1 3/4" (44 mm)
 Faceplate: Square Corner, 1" (25 mm) wide
 Backsets: 2 3/8" (60 mm) | 2 3/4" (70 mm)



Dimensions shown in parentheses () are in millimeters.

Door preparation template

H496