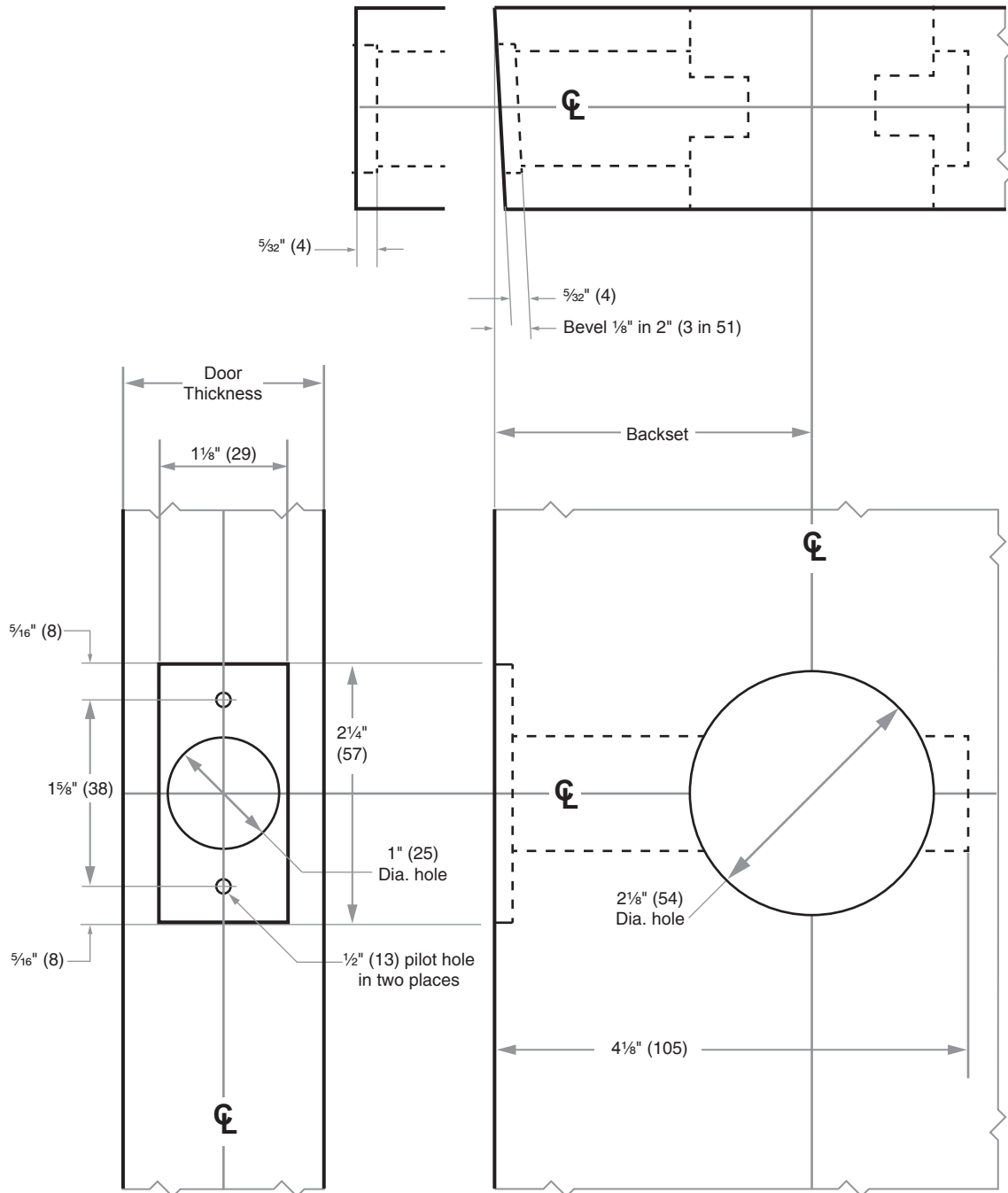




LT-Series

Models LT10, LT40

Door Type: Wood or Composite, Flat or beveled
Door Thickness: 1 3/8" (35 mm)–2" (51 mm)
Faceplate: Square Corner, 1 1/8" (29 mm) wide
Backsets: 2 3/4" (70 mm)



Dimensions shown in parentheses () are in millimeters.

Door preparation template