

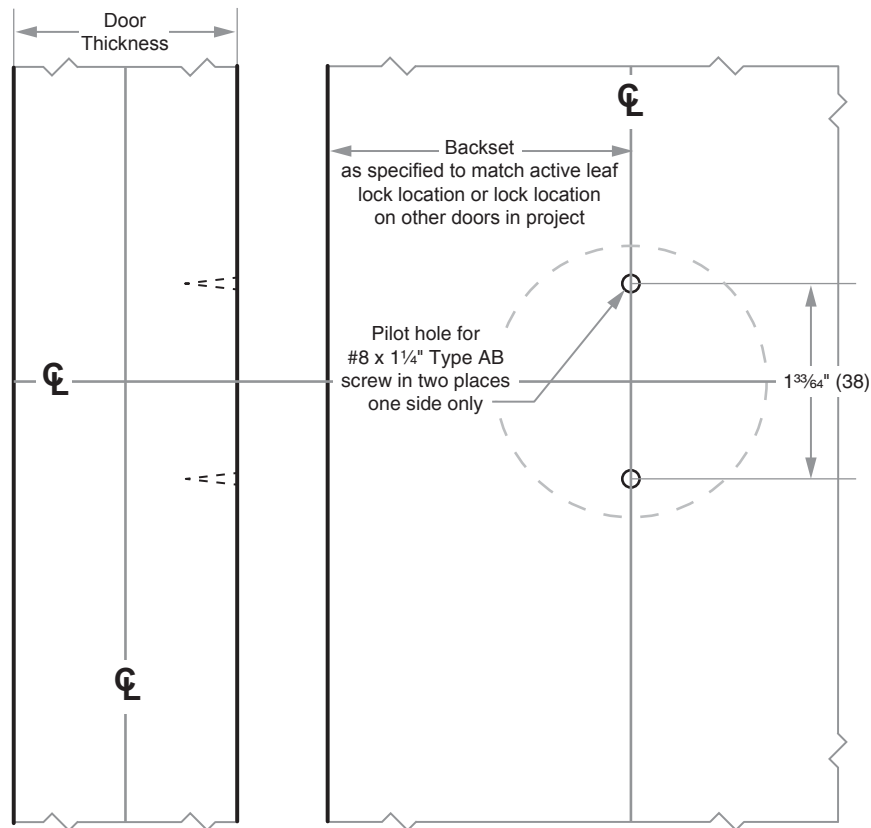


LT-Series

Model LT170



Door Type: Wood or Composite, Flat or beveled
Door Thickness: Any
Faceplate: None
Backsets: Any



Dimensions shown in parentheses () are in millimeters.

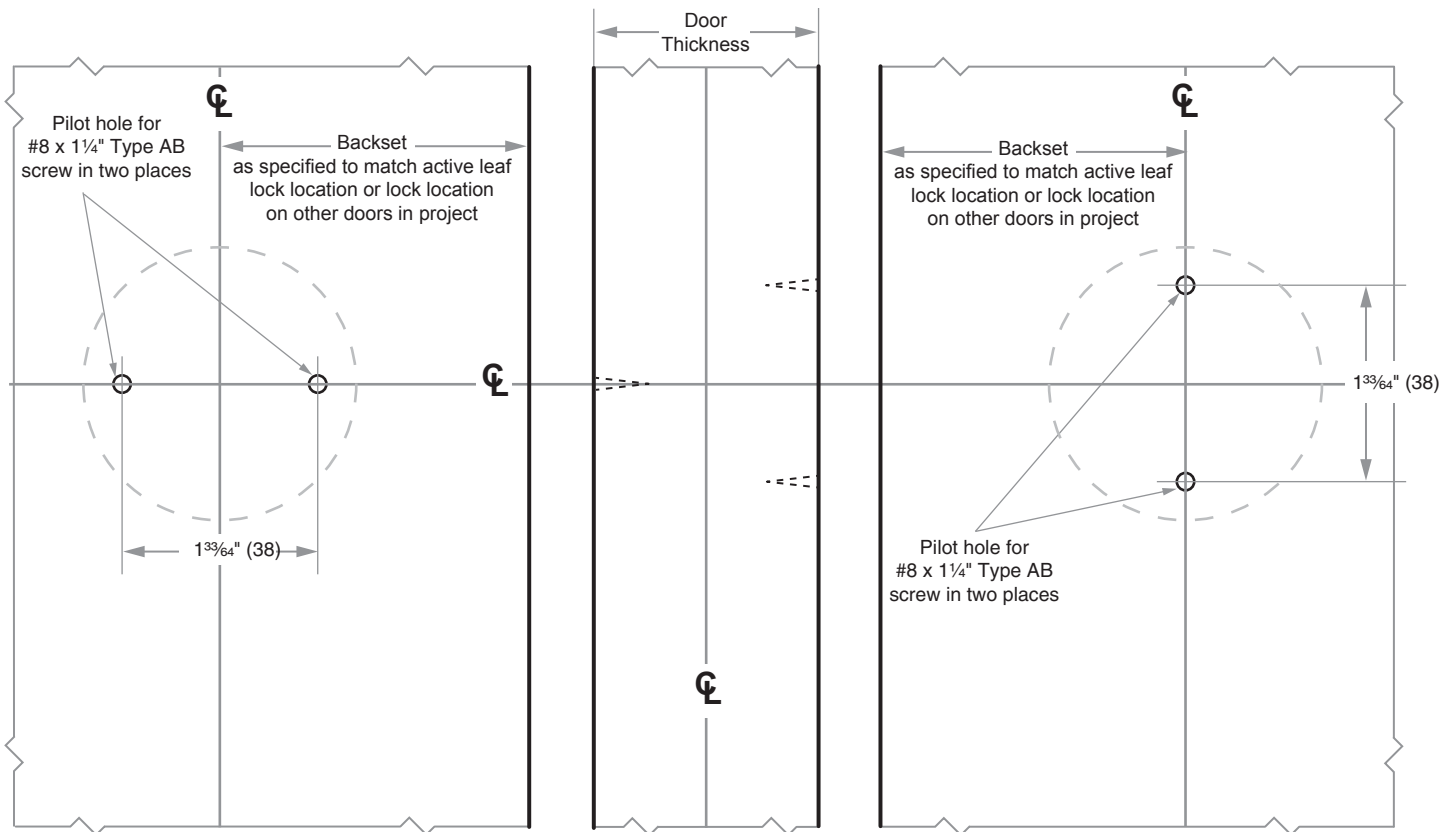
Door preparation template



LT-Series

Model LT172

Door Type: Wood or Composite, Flat or beveled
Door Thickness: Any
Faceplate: None
Backsets: Any



Dimensions shown in parentheses () are in millimeters.

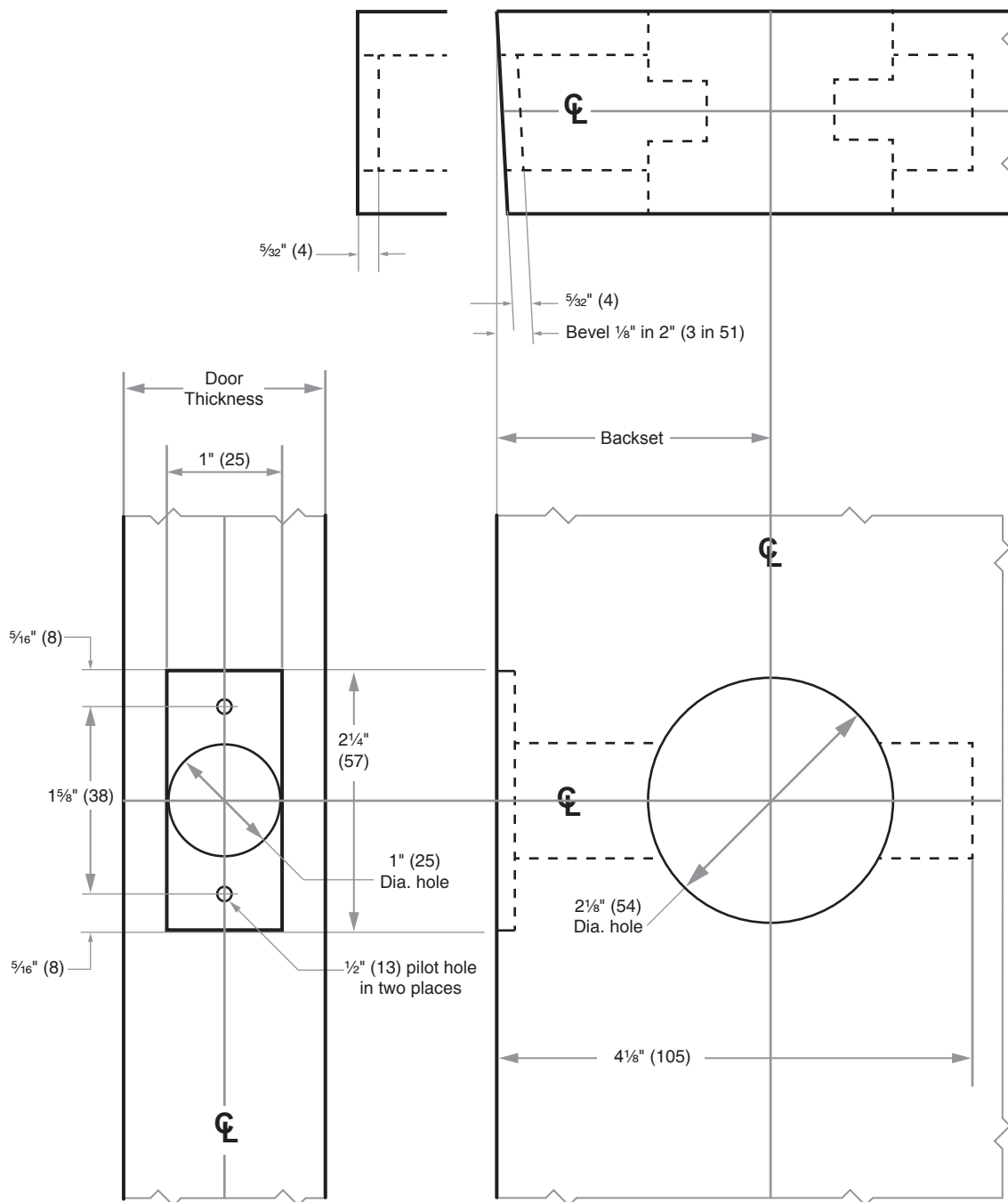
Door preparation template



LT-Series

Models LT10, LT40

- Door Type: Wood or Composite, Flat or beveled
- Door Thickness: $1\frac{1}{8}$ " (35 mm)–2" (51 mm)
- Faceplate: Square Corner, 1" (25 mm) wide
- Backsets: $2\frac{3}{8}$ " (60 mm)



Dimensions shown in parentheses () are in millimeters.

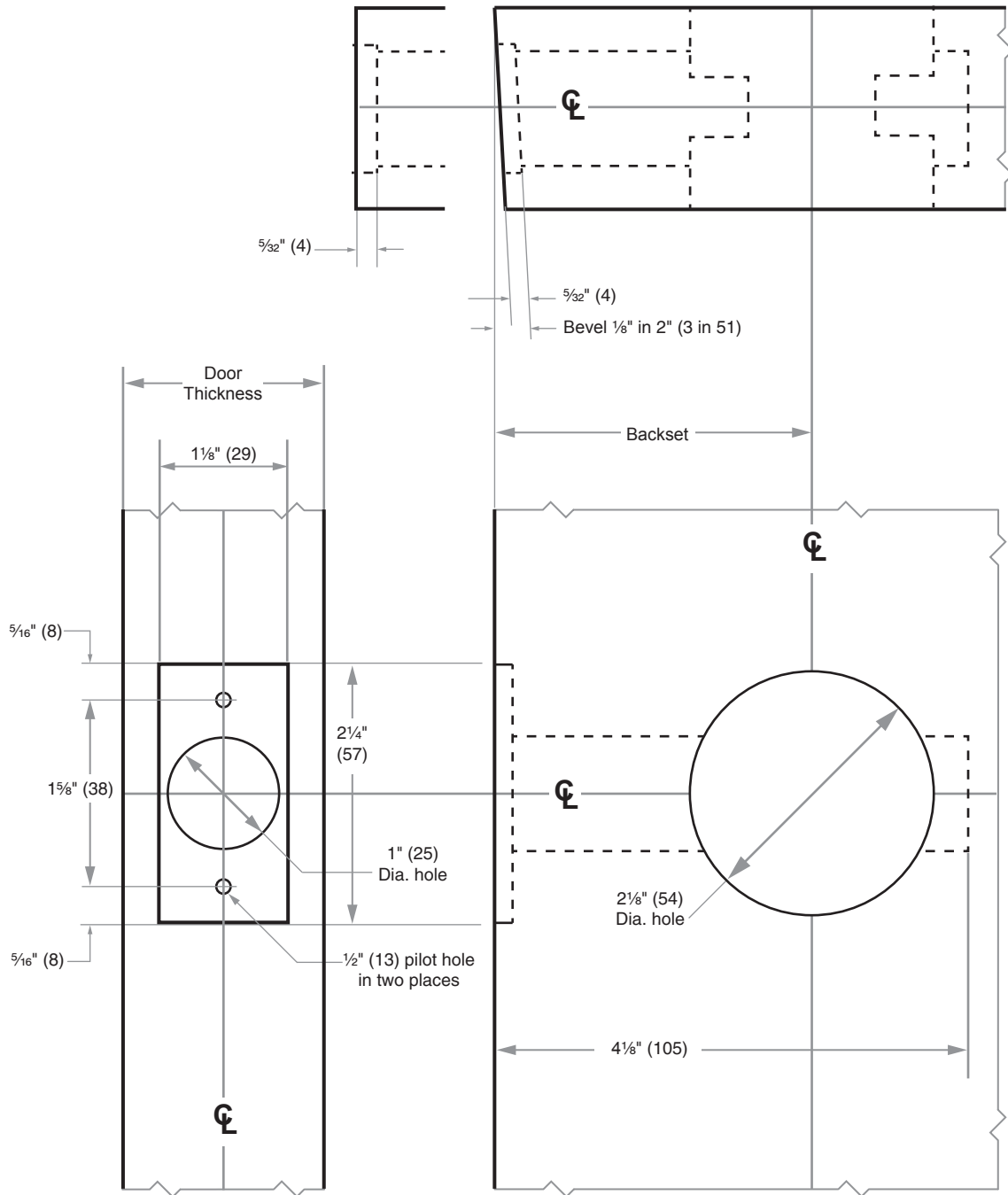
Door preparation template



LT-Series

Models LT10, LT40

Door Type: Wood or Composite, Flat or beveled
Door Thickness: 1 3/8" (35 mm)–2" (51 mm)
Faceplate: Square Corner, 1 1/8" (29 mm) wide
Backsets: 2 3/4" (70 mm)



Dimensions shown in parentheses () are in millimeters.

Door preparation template

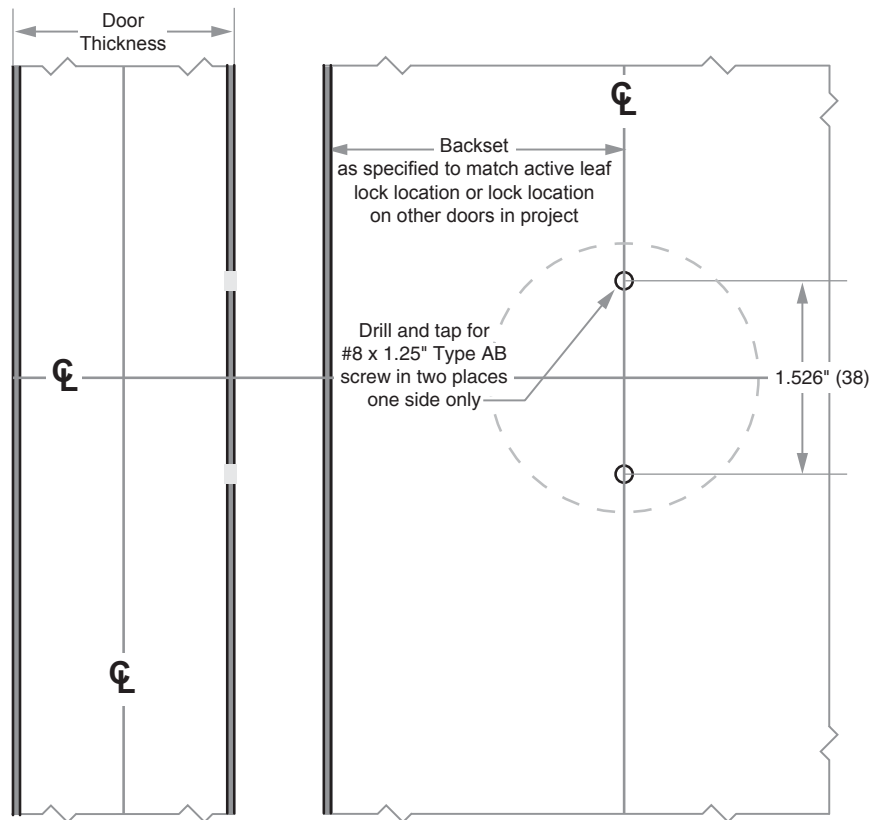


LT-Series

Model LT170



Door Type: Metal, Flat or beveled
Door Thickness: Any
Faceplate: None
Backsets: Any



Dimensions shown in parentheses () are in millimeters.

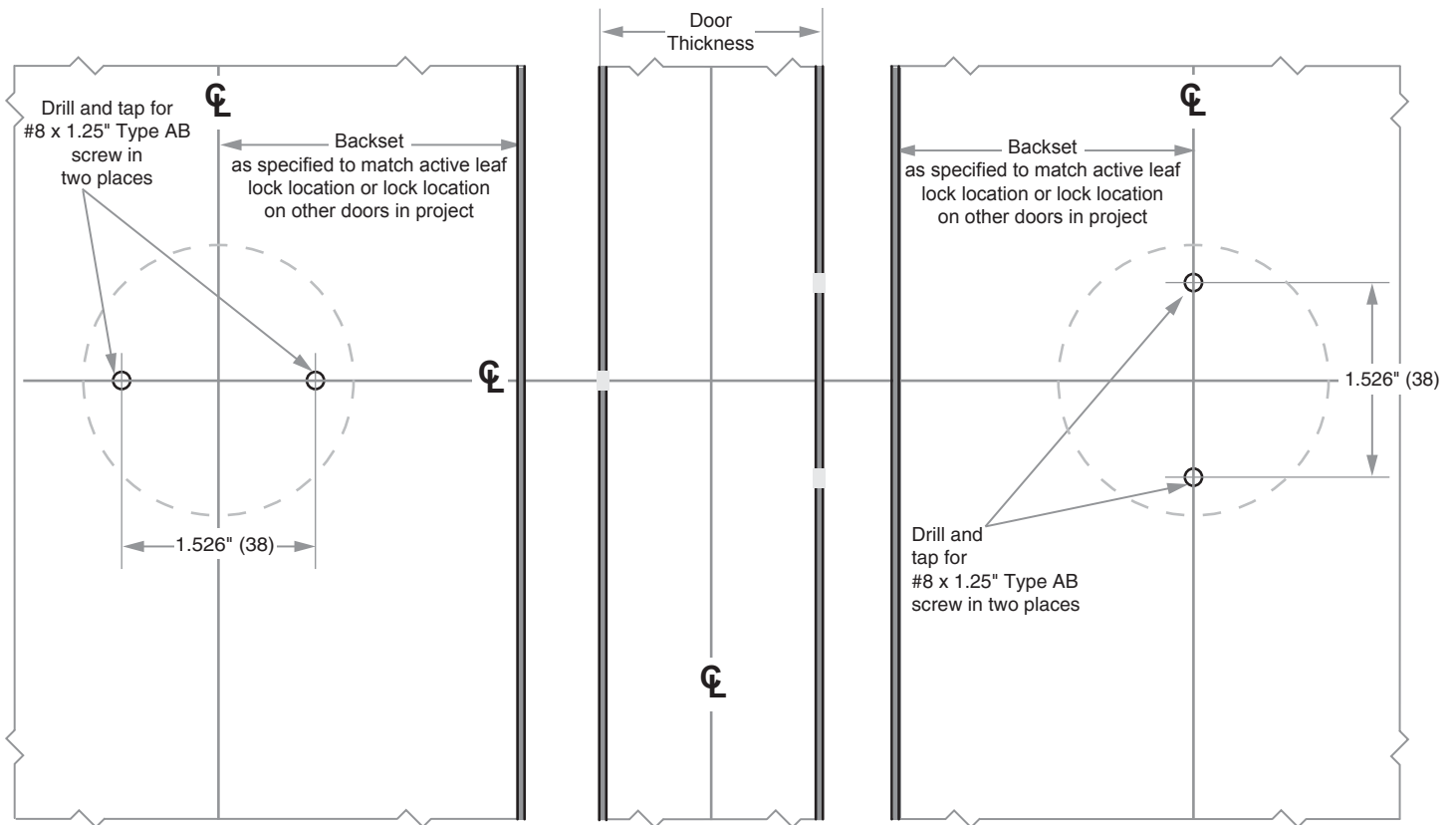
Door preparation template



LT-Series

Model LT172

Door Type: Metal, Flat or beveled
Door Thickness: Any
Faceplate: None
Backsets: Any



Dimensions shown in parentheses () are in millimeters.

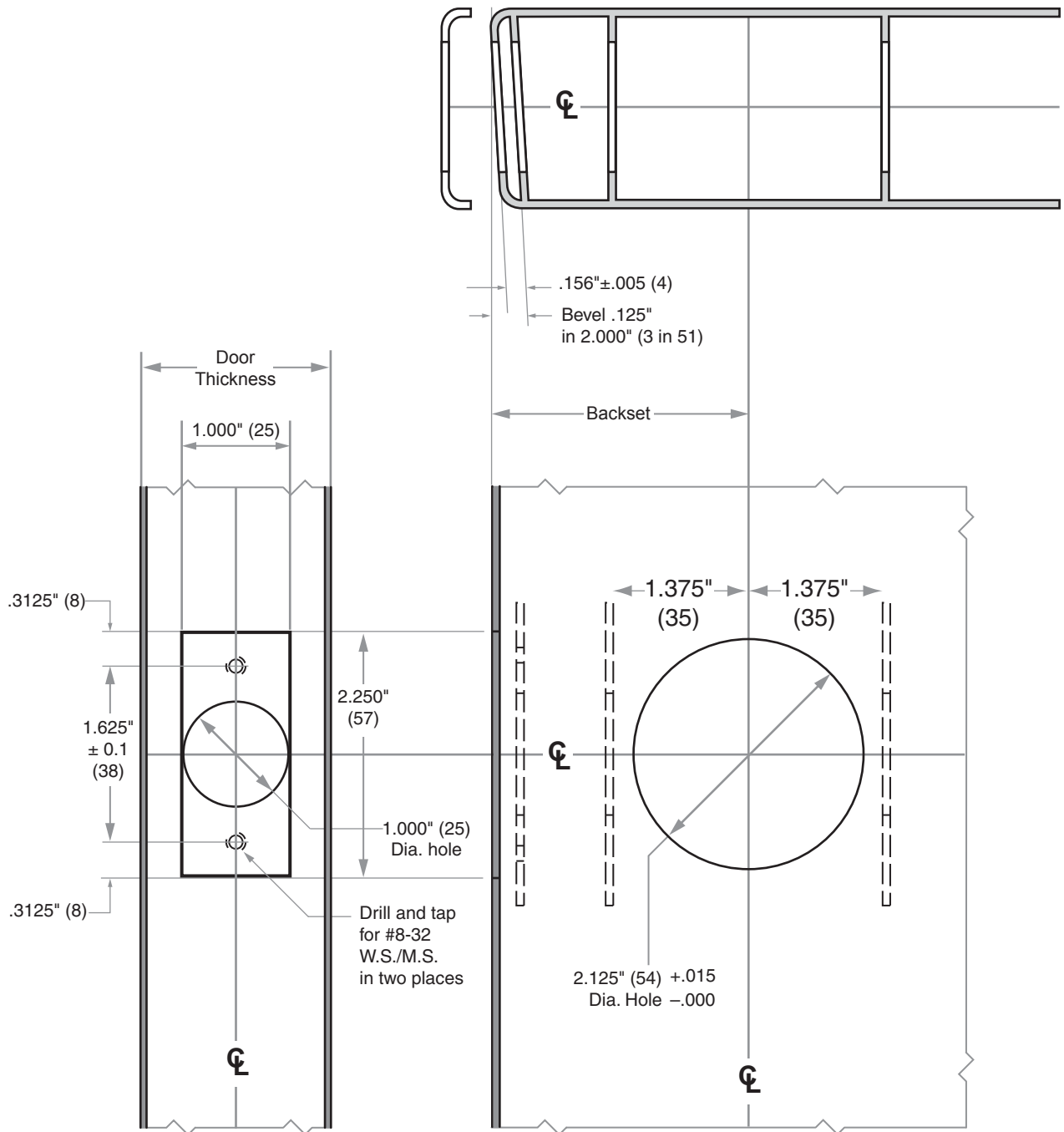
Door preparation template



LT-Series

Model LT10, LT40

Door Type: Metal, Flat or beveled
 Door Thickness: 1 3/8" (35 mm)–2" (51 mm)
 Faceplate: Square Corner, 1" (25 mm) wide
 Backsets: 2 3/8" (60 mm)



Dimensions shown in parentheses () are in millimeters.

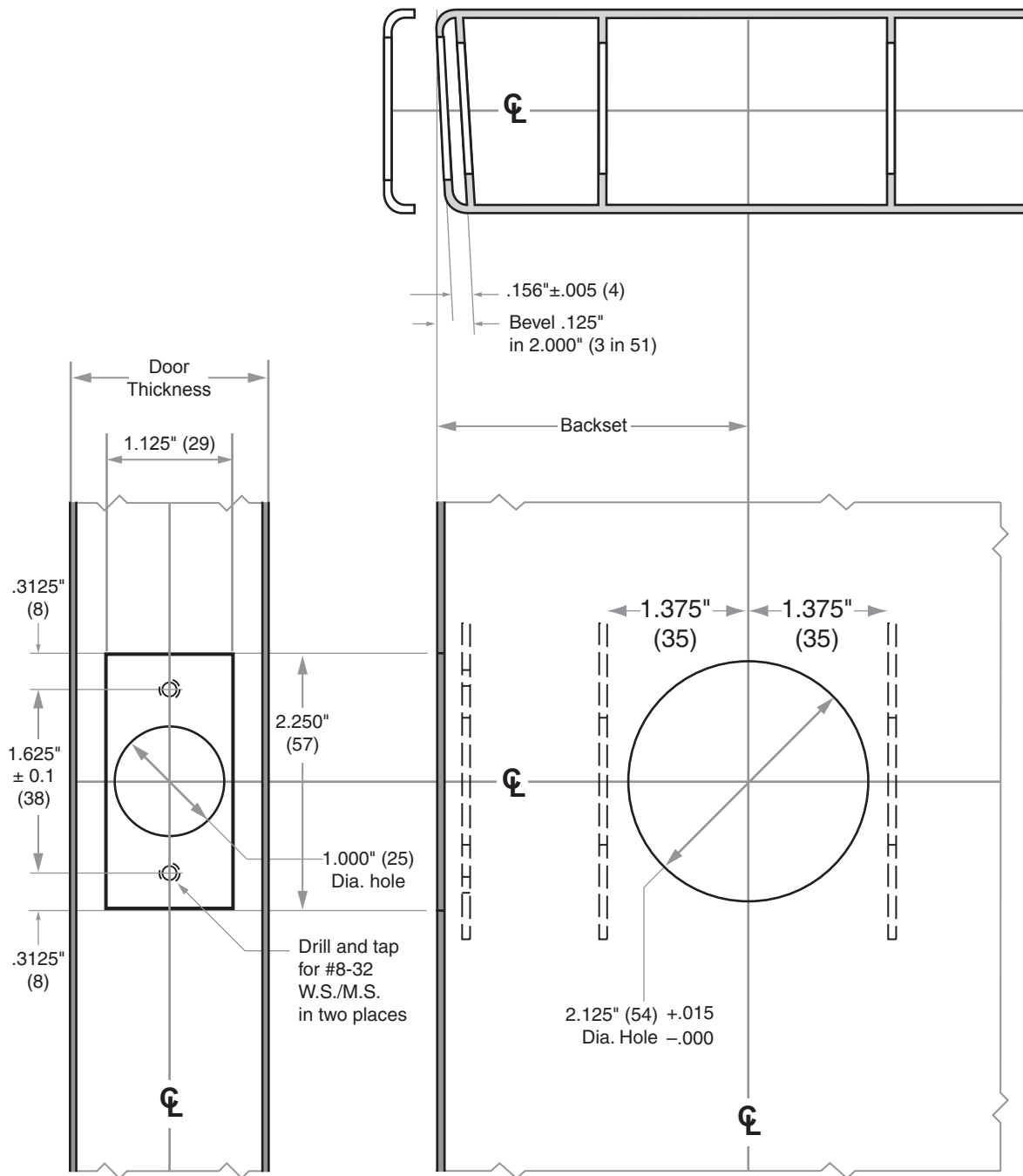
Door preparation template



LT-Series

Model LT10, LT40

Door Type: Metal, Flat or beveled
Door Thickness: $1\frac{1}{8}$ " (35 mm)–2" (51 mm)
Faceplate: Square Corner, $1\frac{1}{8}$ " (29 mm) wide
Backsets: $2\frac{3}{4}$ " (70 mm)



Dimensions shown in parentheses () are in millimeters.

Door preparation template