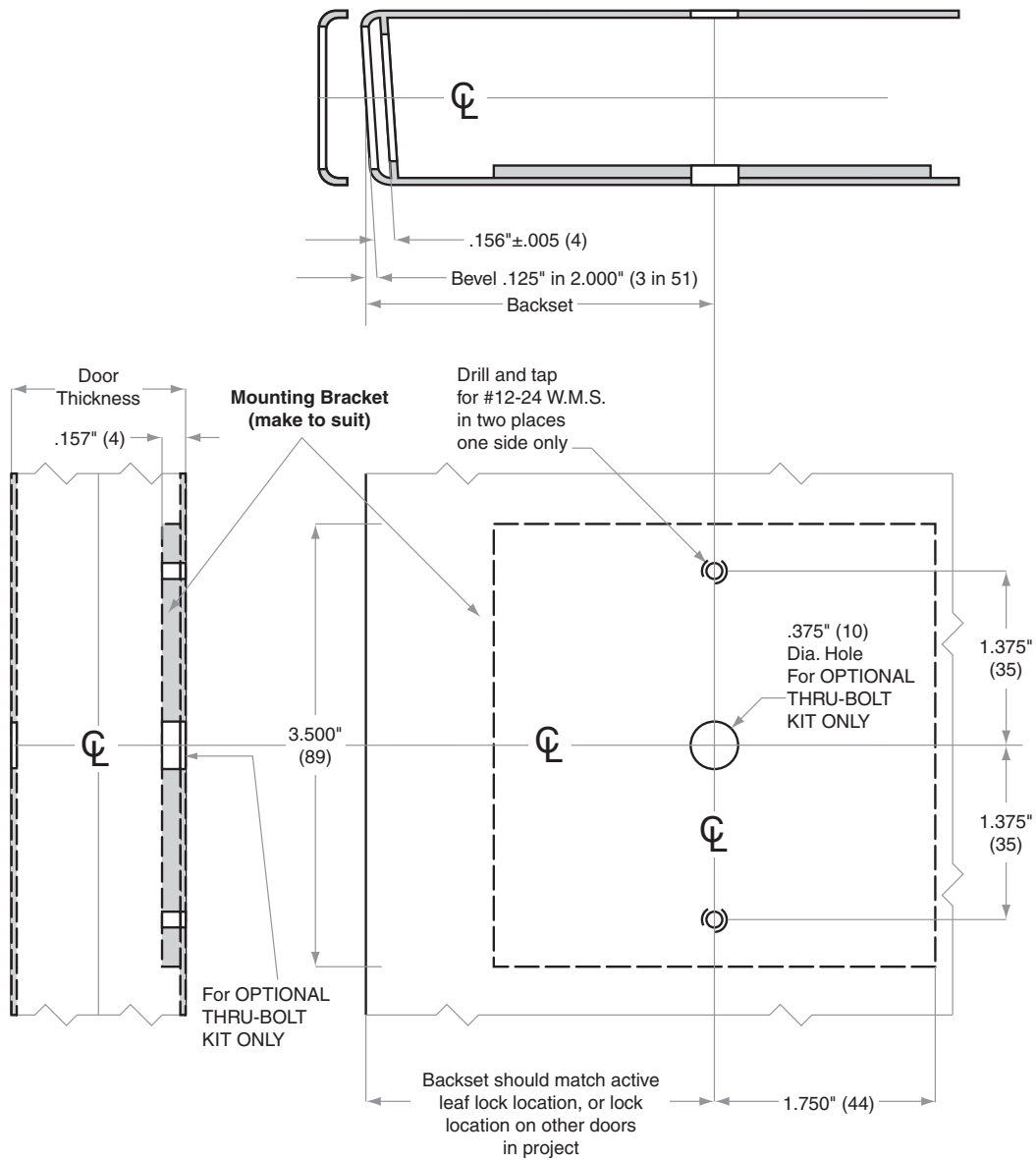




ND-Series Levers

Model ND170

- Door Type:** Metal
Door Thickness: 1 3/8" (35 mm)– 2 1/2" (64 mm) when installed with optional thru-bolt kit (maximum thickness is unlimited when optional thru-bolt kit is not used)
Faceplate: None
Backsets: Any



Dimensions shown in parentheses () are in millimeters.

Door preparation template

ND404