

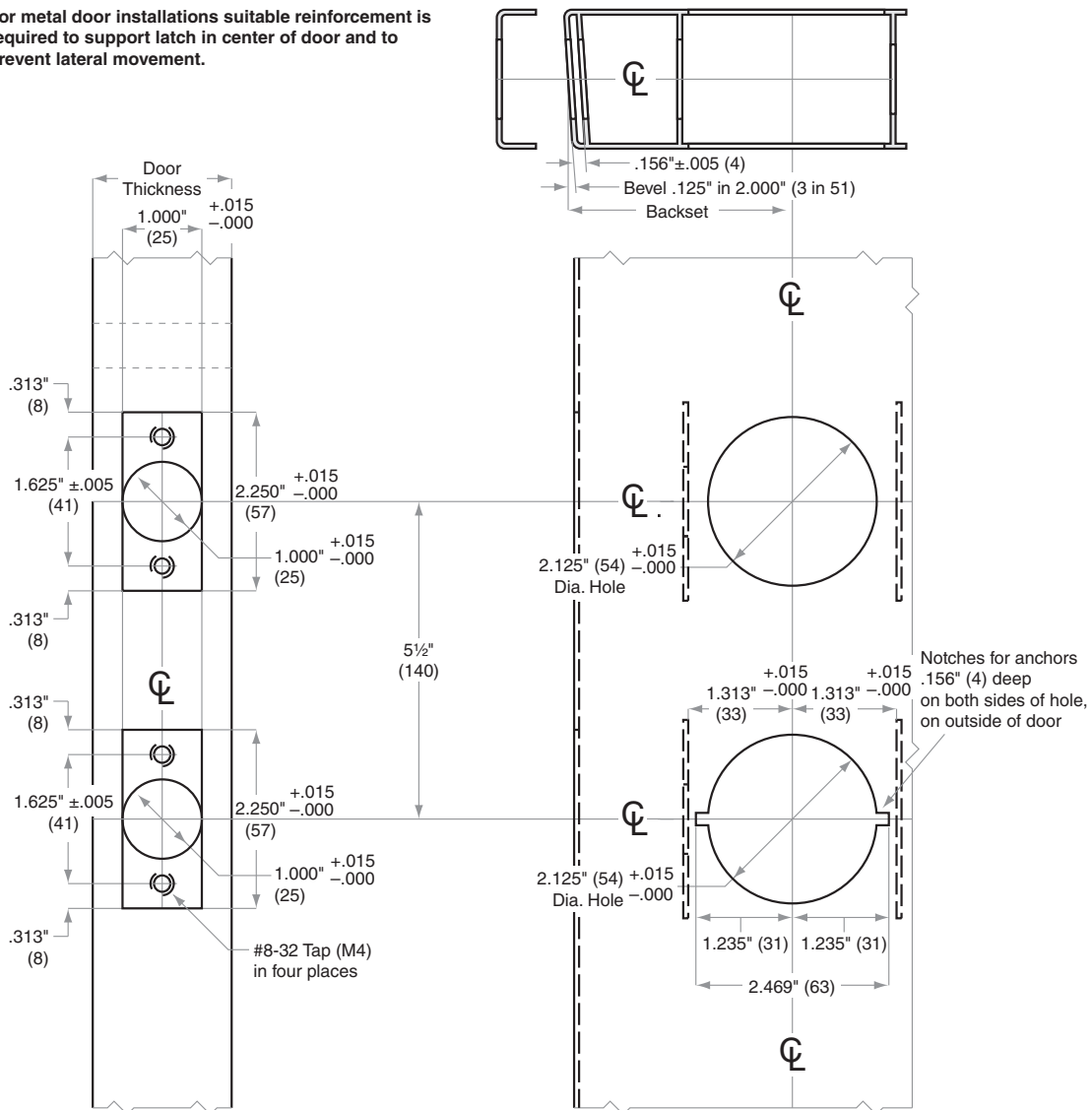


RS-Series

Model RS210F

- Door Type: Metal, Flat or Beveled
- Door Thickness: 1 $\frac{1}{8}$ " (41 mm)– 1 $\frac{3}{4}$ " (44 mm)
- Faceplate: Square Corner, 1" (25 mm) wide
- Backsets: 2 $\frac{3}{8}$ " (60 mm), 2 $\frac{3}{4}$ " (70 mm)

For metal door installations suitable reinforcement is required to support latch in center of door and to prevent lateral movement.



Dimensions shown in parentheses () are in millimeters.

Door preparation template

RS103