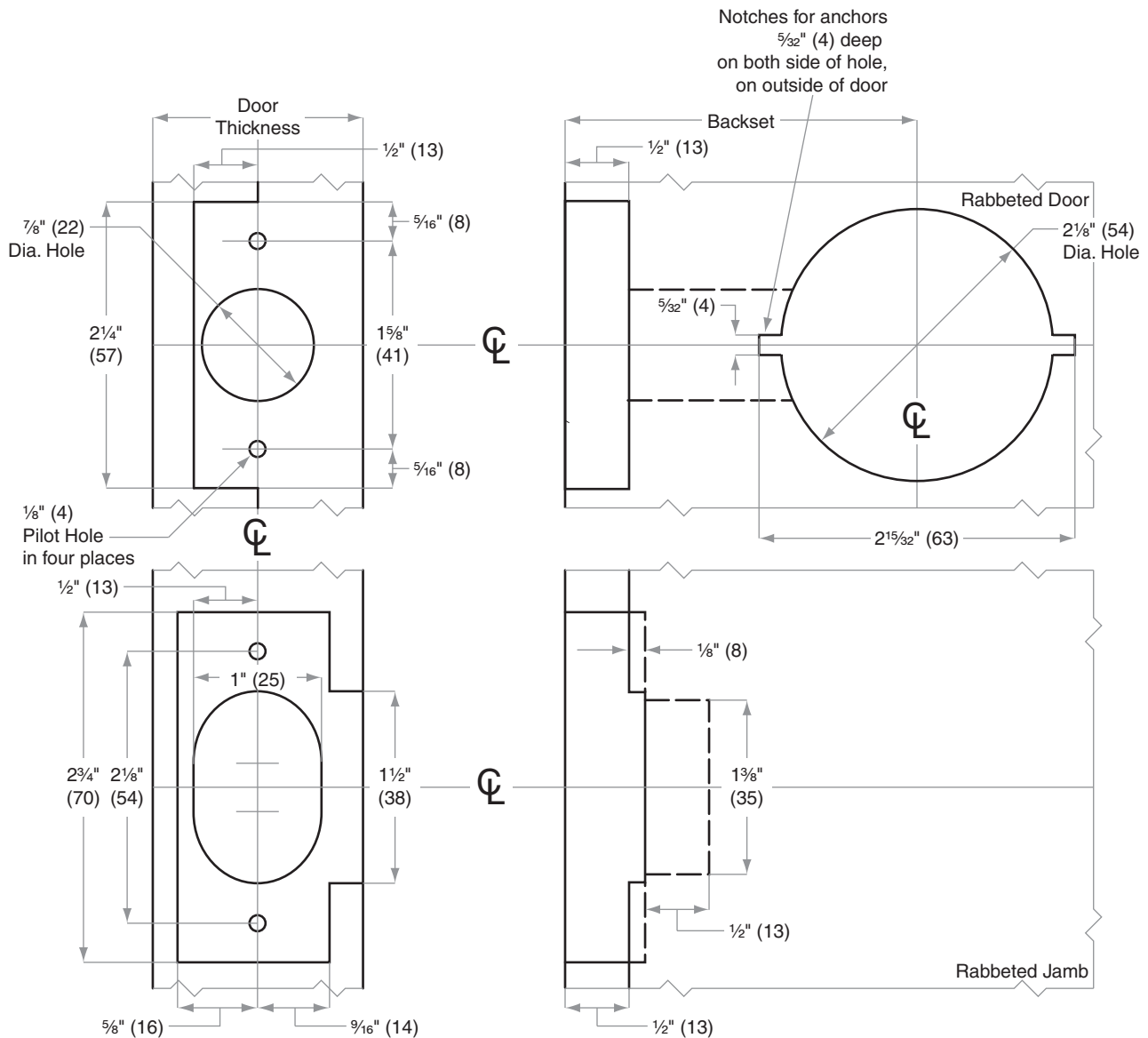




S-Series

Models S10–S80

- Door Type:** Wood or Composite, rabbeted, flat
Door Thickness: 1 $\frac{3}{8}$ " (35 mm)–2" (51 mm) except S40D: 1 $\frac{3}{8}$ " (35 mm)–1 $\frac{7}{8}$ " (47 mm)
Faceplate: Square Corner, 1" (25 mm) wide, 1/2" (13 mm) rabbeted and strike
Backsets: 2 $\frac{3}{8}$ " (60 mm), 2 $\frac{3}{4}$ " (70 mm), 5" (127 mm)



Dimensions shown in parentheses () are in millimeters.

Door preparation template