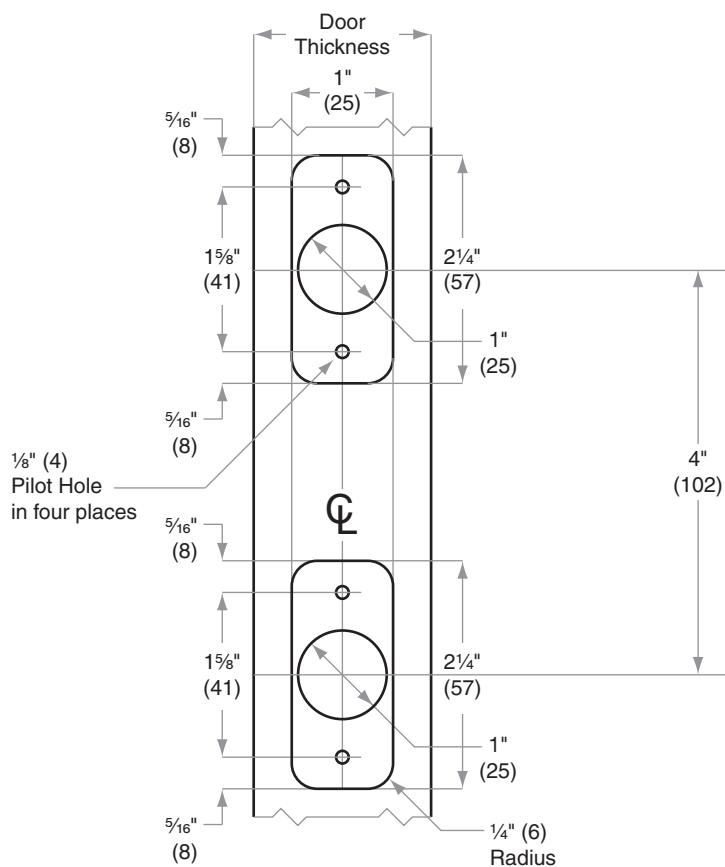
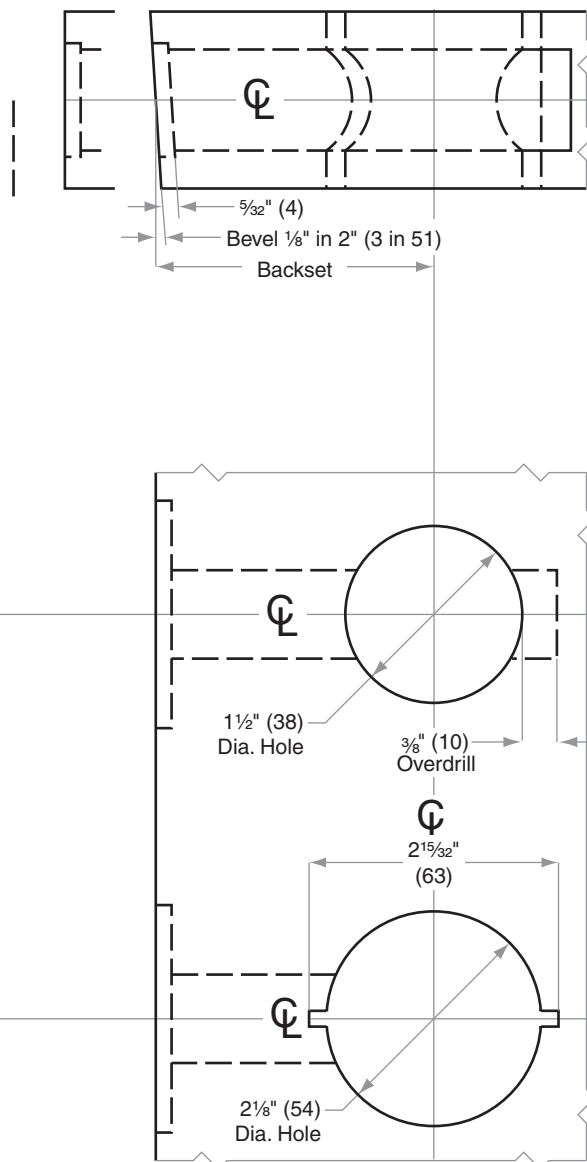




S200-Series

Models S210, S251, S270, S280

- Door Type: Wood or Composite, Flat or Beveled
- Door Thickness: 1 3/8" (35 mm)–2" (51 mm)
- Faceplate: Round Corner, 1/4" (6 mm) radius, 1" (25 mm) wide
- Backsets: 2 3/8" (60 mm), 2 3/4" (70 mm), 5" (127 mm)



Dimensions shown in parentheses () are in millimeters.

Door preparation template

S888