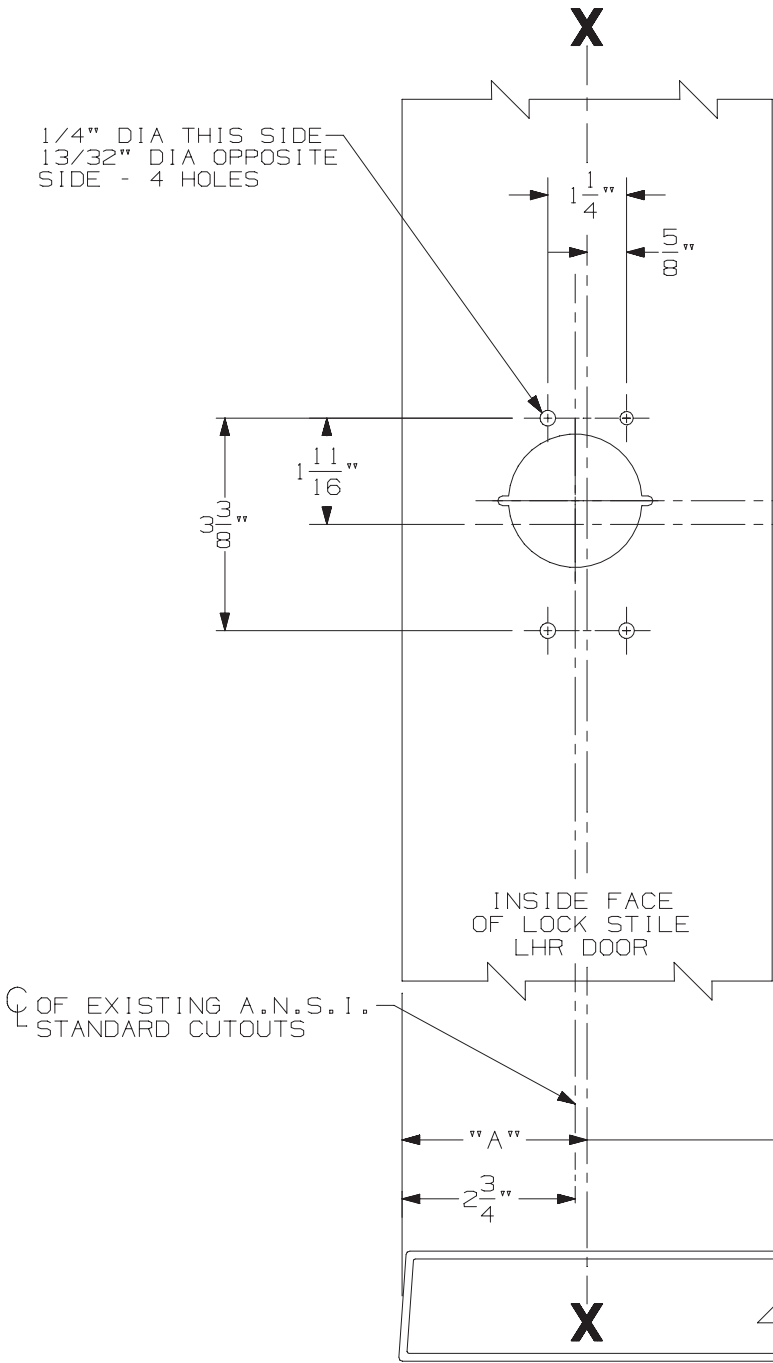
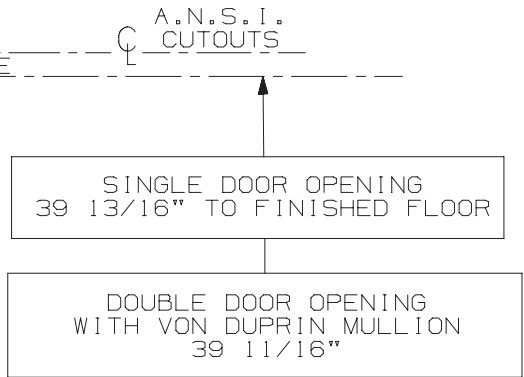


TYPE 161 STOCK HOLLOW METAL DOOR

A.N.S.I. CUTOUTS ARE SHOWN FOR REFERENCE ONLY. SEE A.N.S.I. SPECIFICATION NO. A115 FOR THE SIZE AND LOCATION OF THESE CUTOUTS.



LHR APPLICATION SHOWN
RHR APPLICATION OPPOSITE



SINGLE DOOR APPLICATION		
STRIKE	STOP SIZE	DIM. "A"
299	5/8"	2 7/8"
299	1/2"	2 3/4"

DOUBLE DOOR APPLICATION WITH VON DUPRIN MULLIONS		
MULLION	STRIKE	DIM. "A"
5654	299	2 13/16"
1654	1606	2 13/16"

FOR ADDITIONAL INFORMATION
SEE TEMPLATE NO. 10011 AND 10012

FOR OUTSIDE TRIM PREPARATION, WHEN REQUIRED,
SEE ADDITIONAL TRIM TEMPLATE.

**22EO, DT, & NL Rim Devices w/ 220 Trim for
Type "161" Stock Hollow Metal Applications**

VON DUPRIN®

NOTES: SEE MASTER SHEET #10001 FOR SUGGESTED REINFORCING

TEMPLATE
NUMBER:

10038_a

DATE:
05-15-13