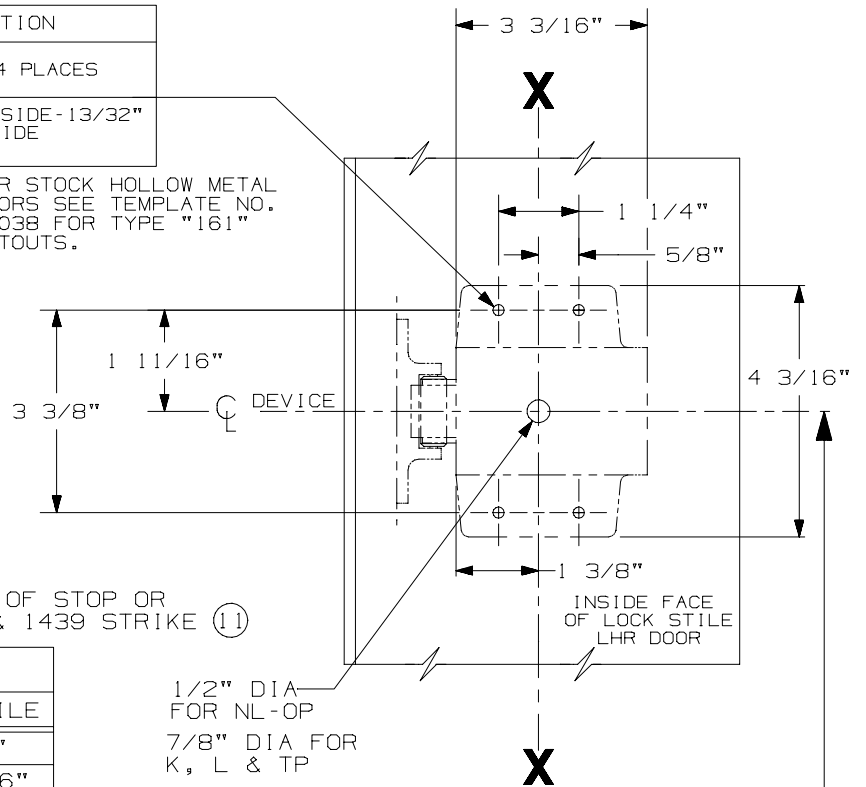
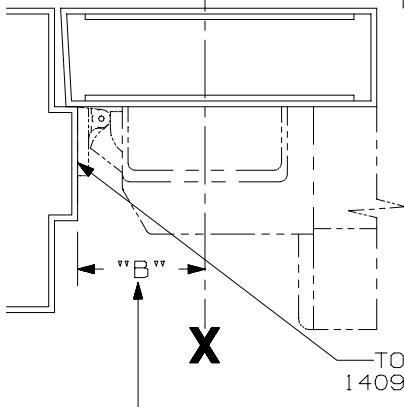


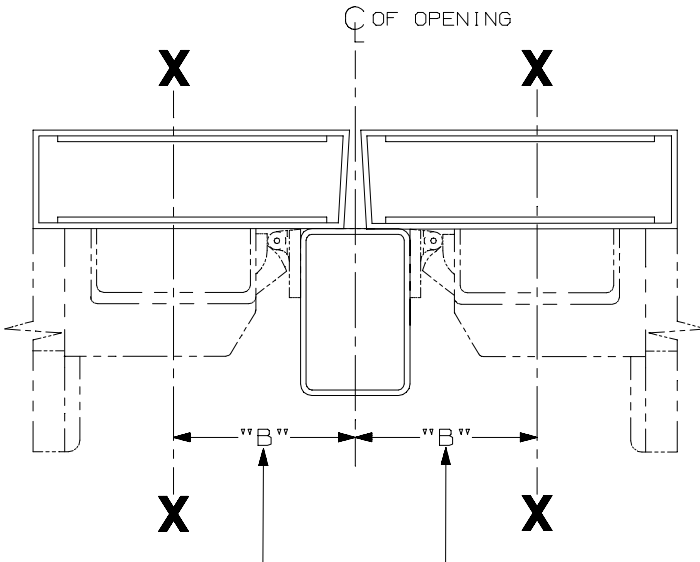
APPLICATION	PREPARATION
SURFACE APPLICATION OR 990 TRIM APPLICATION	#10-24 TAP 4 PLACES
210 TRIM APPLICATION OR SEXBOLT APPLICATION	1/4" DIA THIS SIDE-13/32" DIA OPPOSITE SIDE 4 PLACES

NOTE: FOR STOCK HOLLOW METAL DOORS SEE TEMPLATE NO. 10038 FOR TYPE "161" CUTOUTS.



SINGLE DOOR INSTALLATION		
STRIKE	DIM "B"	MIN. STILE
299 & 299F	2 3/8"	4 3/8"
1409 & 1439	1 9/16"	3 13/16"
1606	1 15/16"	3 15/16"

1/2" DIA FOR NL-OP
7/8" DIA FOR K, L & TP



REMOVE GLASS STOP HEAD OR BEAD IN AREA OF DEVICE IF REQUIRED.

LHR SHOWN
RHR OPPOSITE

SINGLE DOOR OPENING
39 13/16" TO FINISHED FLOOR

DOUBLE DOOR OPENING
WITH VON DUPRIN MULLION
39 11/16"

DOUBLE DOOR INSTALLATION WITH VON DUPRIN MULLIONS			
MULLION	STRIKE	DIM. "B"	MIN. STILE
4954	299	3 3/8"	4 3/4"
9954	499-F	3 1/2"	4 7/8"
5654	299	2 15/16"	4 1/4"
5754	1408	2 1/8"	3 13/16"
1654	1606	2 15/16"	4 1/4"

IT IS RECOMMENDED THE MOUNTING HOLES BE PREPARED IN THE FIELD

FOR OUTSIDE TRIM PREPARATION, WHEN REQUIRED, SEE ADDITIONAL TRIM TEMPLATE.

22 NL, K, L, TP, NL-F, K-F, L-F, & TP-F Series Rim Devices

VON DUPRIN®

NOTES: SEE MASTER SHEET #10001 FOR SUGGESTED REINFORCING

TEMPLATE NUMBER:

10012_a

DATE:
05-15-13