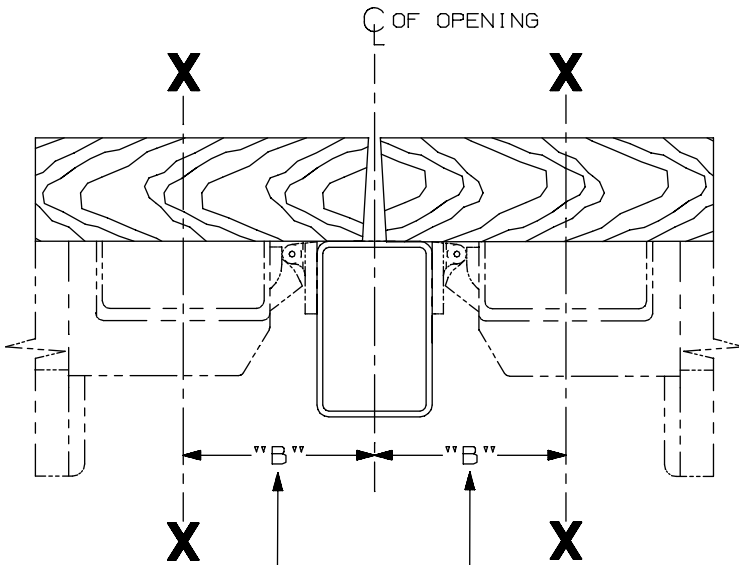
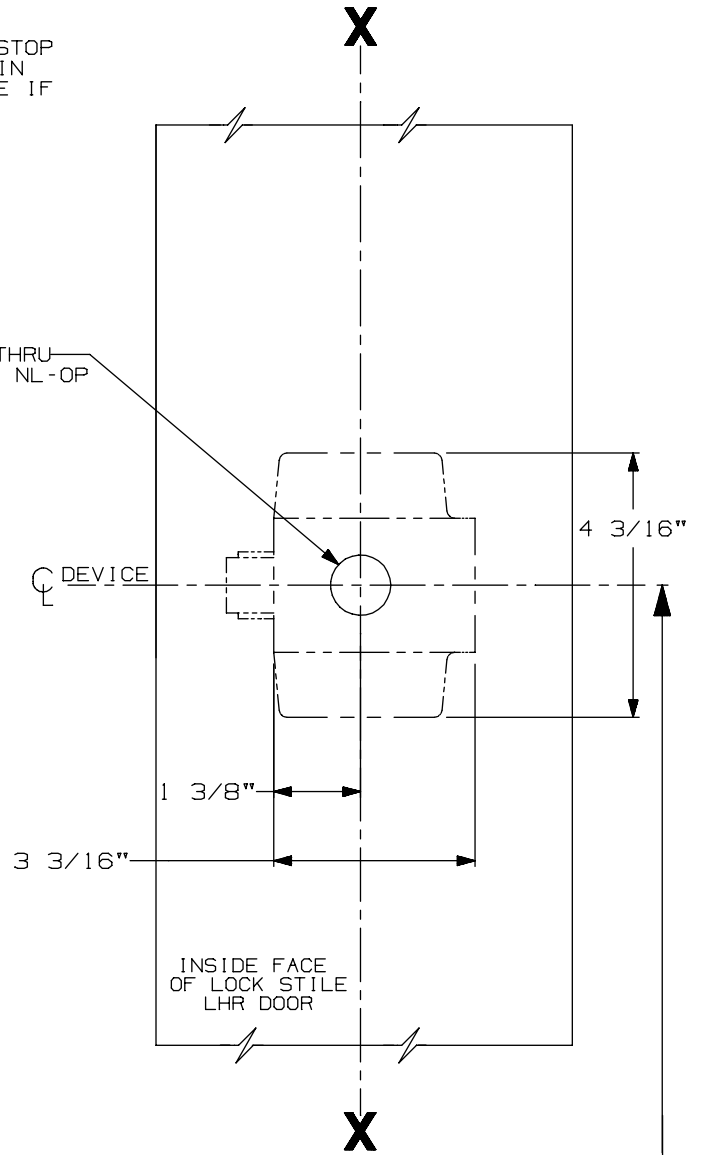


REMOVE GLASS STOP  
HEAD OR BEAD IN  
AREA OF DEVICE IF  
REQUIRED

7/8" DIA THRU  
1/2" DIA FOR NL-OP

SINGLE DOOR INSTALLATION		
STRIKE	DIM "B"	MIN. STILE
299 & 299F	2 3/8"	4 3/8"
1409/1439	1 9/16"	3 13/16"
1606	1 15/16"	3 15/16"

④



DOUBLE DOOR INSTALLATION WITH VON DUPRIN MULLIONS			
MULLION	STRIKE	DIM. "B"	MIN. STILE
4954	299	3 3/8"	4 3/4"
9954	499-F	3 1/2"	4 7/8"
5654	299	2 15/16"	4 1/4"
5754	1408	2 1/8"	3 13/16"
1654	1606	2 15/16"	4 1/4"

SINGLE DOOR OPENING  
39 13/16" TO FINISHED FLOOR

DOUBLE DOOR OPENING  
WITH VON DUPRIN MULLION  
39 11/16" TO FINISHED FLOOR

LHR SHOWN  
RHR OPPOSITE

FOR OUTSIDE TRIM PREPARATION, WHEN REQUIRED,  
SEE ADDITIONAL TRIM TEMPLATE

NOTE: MOUNTING HOLES TO BE PREPARED  
AT INSTALLATION ON DOOR.

## 22 Series Rim Device (Wood Door)

# VON DUPRIN®

NOTES: SEE MASTER SHEET #10001 FOR SUGGESTED REINFORCING

TEMPLATE  
NUMBER:

W10012\_a

DATE:  
05-28-13