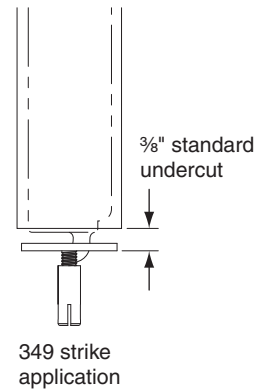
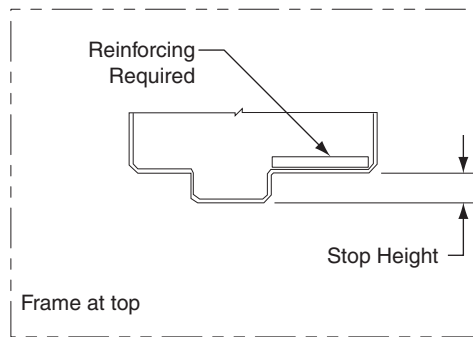
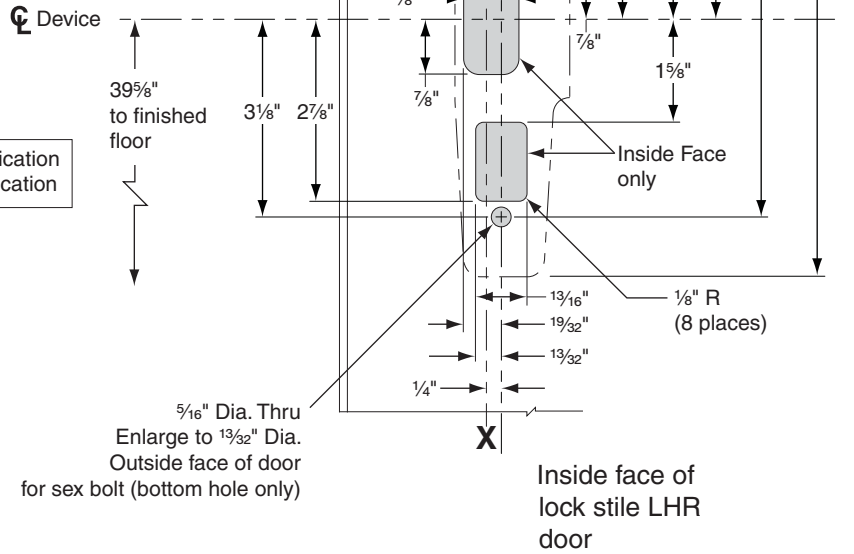


LHR SHOWN
RHR OPPOSITE



- Prep at bottom same as top
- Glass bead kit available when required
- It is recommended the mounting holes be prepared in the field
- For outside trim preparation, when required add additional trim template

33/3549A-F HOLLOW METAL DOOR FIRE APPLICATION
CONCEALED VERTICAL DEVICE

VON DUPRIN®

NOTE: SEE MASTER SHEET NO. 10001 FOR SUGGESTED REINFORCING

TEMPLATE NUMBER: 23970684_e

DATE: 10-27-15