

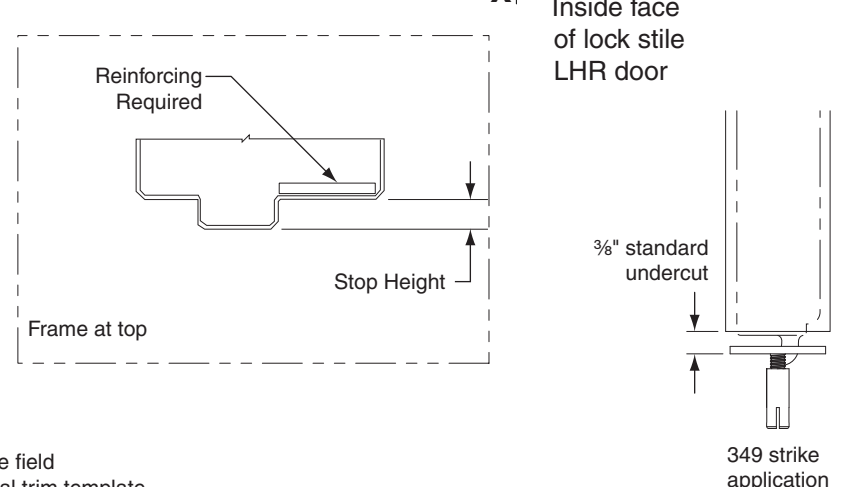
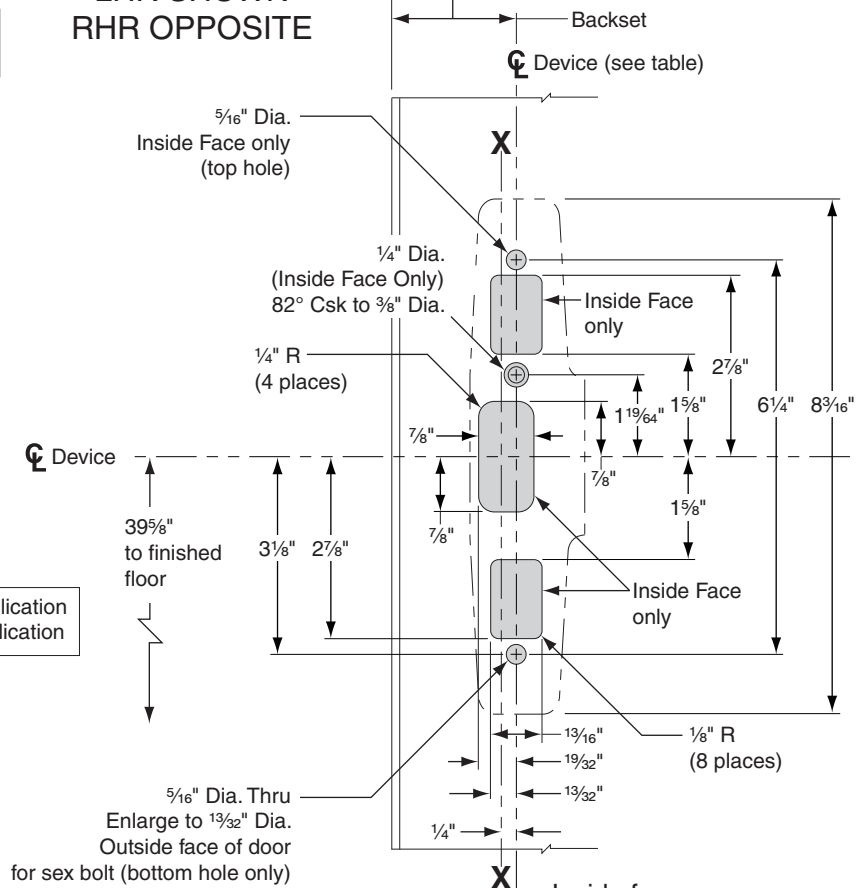
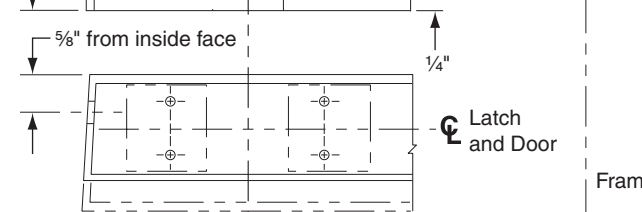
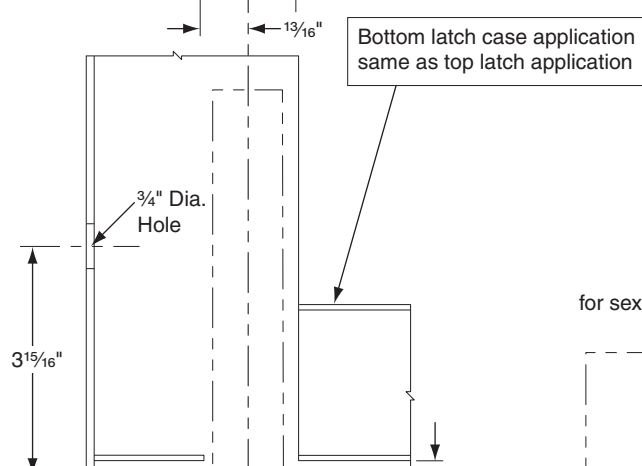
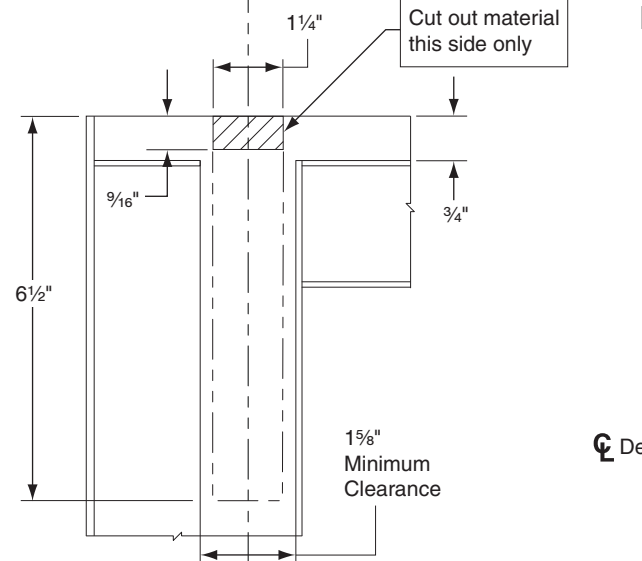
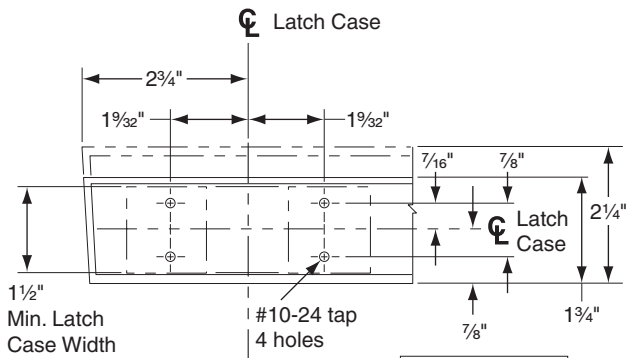
**Device Installation Schedule**

Installation	Backset	Stile Width
pair of doors	1 <sup>3</sup> / <sub>16</sub> "	2 <sup>1</sup> / <sub>8</sub> " to 2 <sup>3</sup> / <sub>4</sub> "
	1 <sup>1</sup> / <sub>2</sub> "	2 <sup>3</sup> / <sub>4</sub> " to 3 <sup>3</sup> / <sub>4</sub> "
	1 <sup>7</sup> / <sub>8</sub> "	3 <sup>3</sup> / <sub>4</sub> " to 5"
single door	2 <sup>1</sup> / <sub>2</sub> "	5" to flush
	1 <sup>1</sup> / <sub>2</sub> "	2 <sup>1</sup> / <sub>2</sub> " to 3 <sup>3</sup> / <sub>4</sub> "
	1 <sup>7</sup> / <sub>8</sub> "	3 <sup>3</sup> / <sub>4</sub> " to 5"
	2 <sup>1</sup> / <sub>2</sub> "	5" to flush

- Use of outside trim may alter minimum stile width requirement. See trim template.
- See template #10052 for 2" of less stile width.

Note: Backset may vary when used with coordinator depending on type used.

**LHR SHOWN  
RHR OPPOSITE**



- Prep at bottom same as top
- Glass bead kit available when required
- It is recommended the mounting holes be prepared in the field
- For outside trim preparation, when required add additional trim template

**33/3549A HOLLOW METAL DOOR PANIC APPLICATION  
CONCEALED VERTICAL DEVICE**

**VON DUPRIN®**

NOTE: SEE MASTER SHEET NO. 10001 FOR SUGGESTED REINFORCING

TEMPLATE NUMBER: 23974744\_d

DATE: 4-6-15