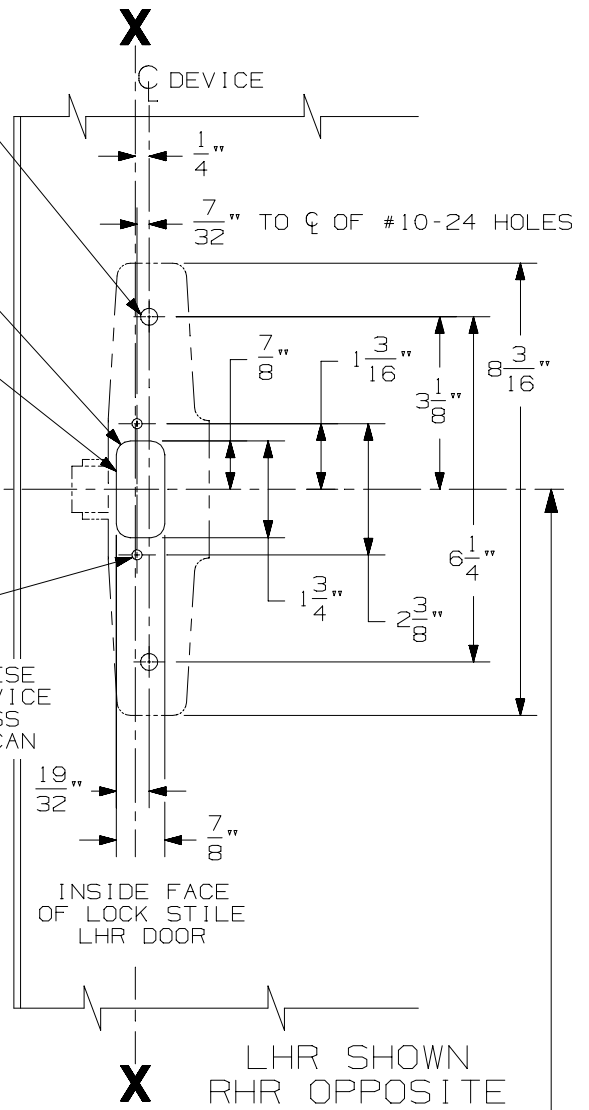


SINGLE DOOR INSTALLATION			
DEVICE TYPE	STRIKE	DIM. "B"	RECOMMENDED MIN. STILE * ①
PANIC	299	1 - 21/32"	2 - 7/8"
	1439	27/32"	2"
	1410	27/32"	2"
FIRE	299-F	1 - 21/32"	2 - 7/8"

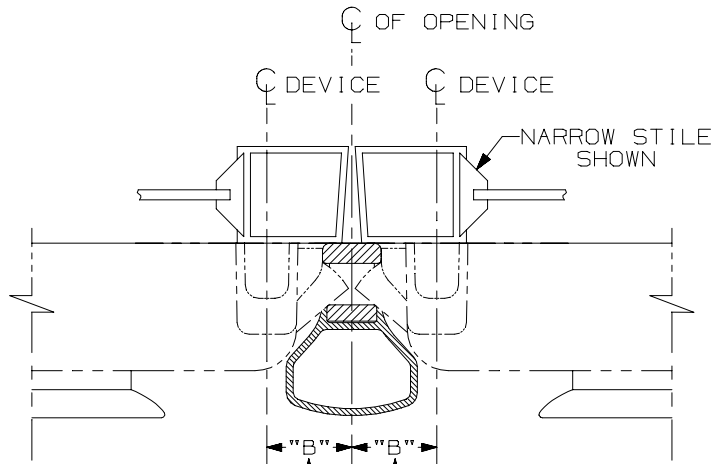
USE OF OUTSIDE TRIM MAY ALTER MINIMUM STILE REQUIREMENT. SEE TRIM TEMPLATE.

#10-24 UNC-2B
INSIDE FACE ONLY
2 HOLES
DO NOT PREPARE THESE HOLES PRIOR TO DEVICE INSTALLATION UNLESS ±1/64" TOLERANCE CAN BE MAINTAINED



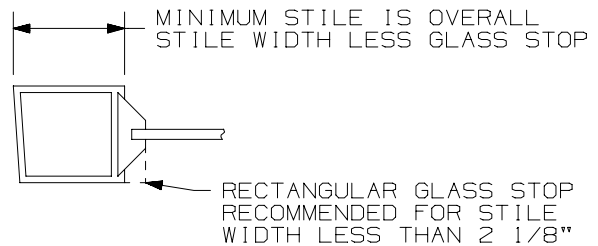
SINGLE DOOR OPENING
39 13/16" TO FINISHED FLOOR.

DOUBLE DOOR OPENING
WITH VON DUPRIN MULLION
39 11/16"



DOUBLE DOOR INSTALLATION WITH VON DUPRIN MULLIONS ①				
DEVICE TYPE	MULLION	STRIKE	DIM. "B"	RECOMMENDED MIN. STILE *
PANIC	4954	299	2 - 21/32"	3 - 3/8"
	1654	1606	2 - 7/32"	2 - 15/16"
	5654	299	2 - 3/16"	2 - 15/16"
	5754	1408	1 - 3/8"	2"
FIRE	9954	499-F	2 - 25/32"	3 - 1/2"

USE OF OUTSIDE TRIM MAY ALTER MINIMUM STILE REQUIREMENT. SEE TRIM TEMPLATE.



① * CONSULT FACTORY FOR STILE WIDTHS LESS THAN MIN. RECOMMENDED TO ENSURE PROPER APPLICATION

FOR OUTSIDE TRIM PREPARATION, WHEN REQUIRED, SEE TRIM TEMPLATE.

33A/35A & 33A-F/35A-F Series Rim Devices (Metal Door)

VON DUPRIN®

NOTES: SEE MASTER SHEET #10001 FOR SUGGESTED REINFORCING

TEMPLATE NUMBER:

10048_c

DATE:
07-24-17