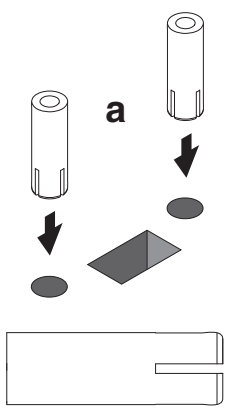
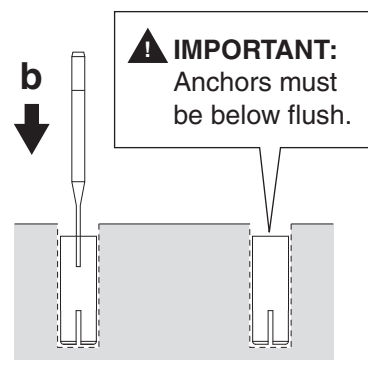


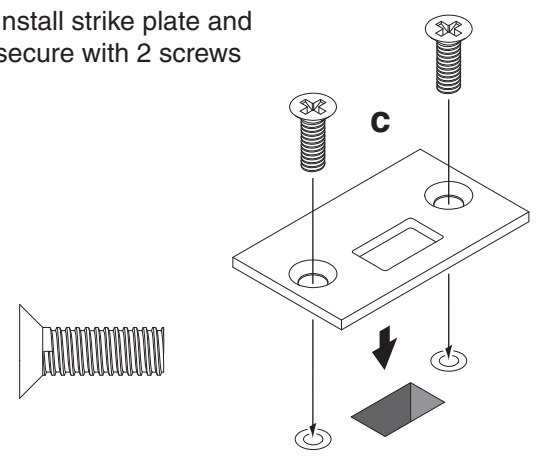
Clear holes of debris, then drop in anchors (slotted end first)



Secure the anchors using a hammer and punch



Install strike plate and secure with 2 screws



DEVICE APPLICATION SCHEDULE
33/3549A & 33/3549A-F SERIES DEVICE
98/9949 & 98/9949-F SERIES DEVICE
98/9949WDC & 98/9949WDC-F SERIES DEVICE

349 STRIKE

VON DUPRIN®

TEMPLATE NUMBER: 24101529_c

DATE: 9-21-16