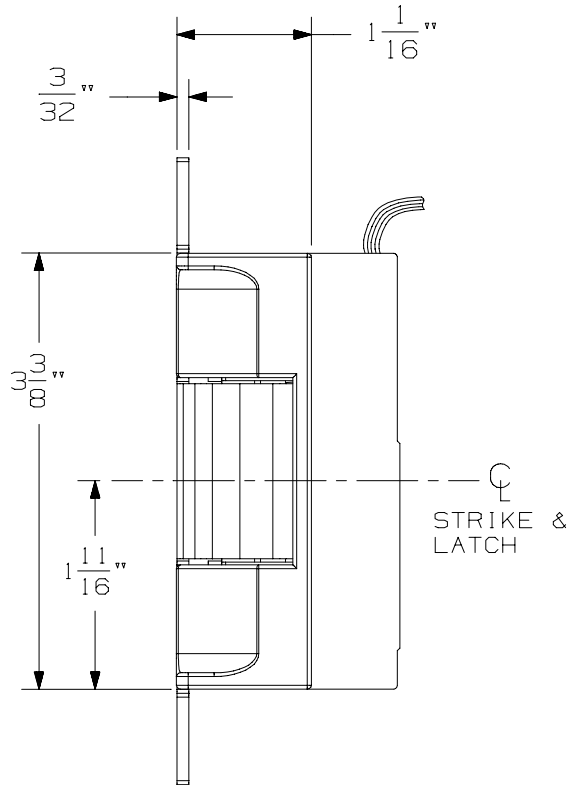
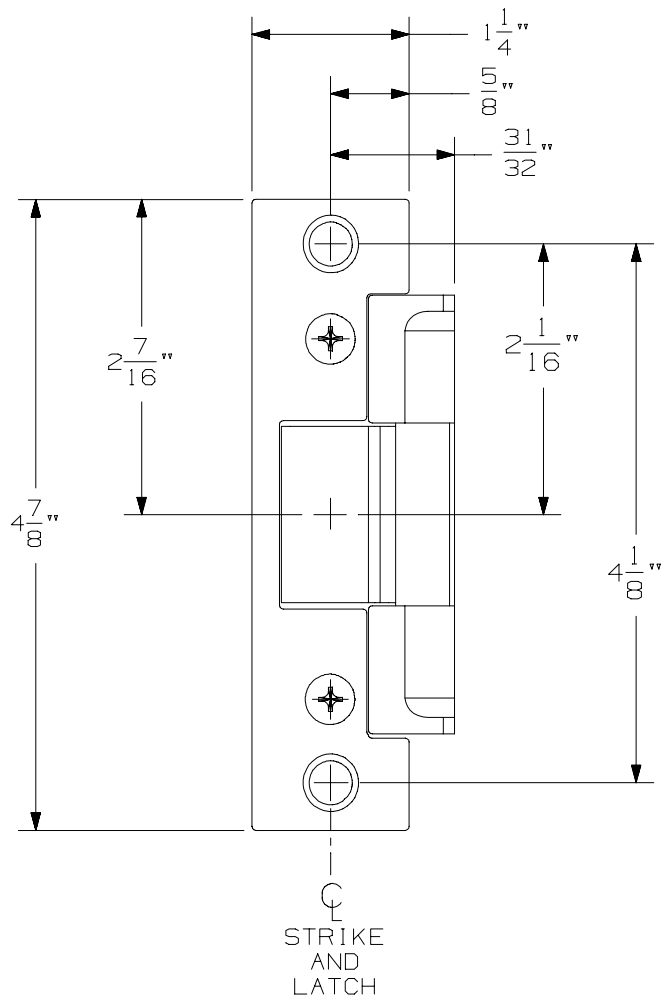


RIGHT HAND APPLICATION
LEFT HAND OPPOSITE



NOTES:
THIS STRIKE FOR USE WITH
5/8" MAX. THROW CYLINDRICAL
LATCHES OR DEAD LATCHES.

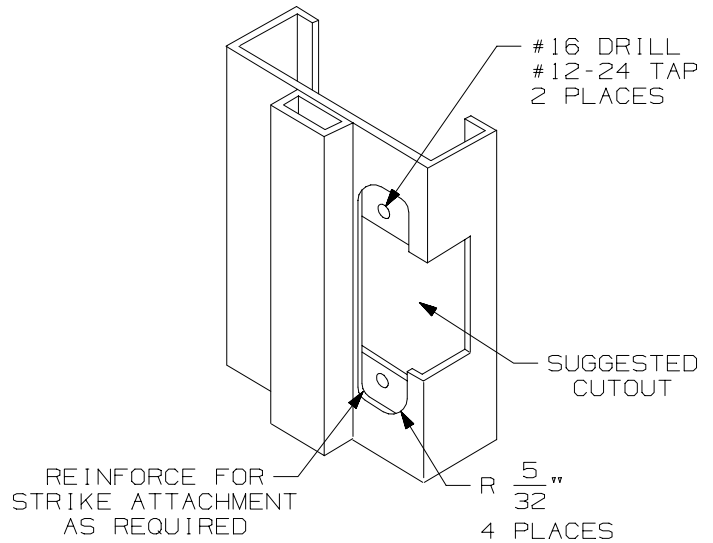
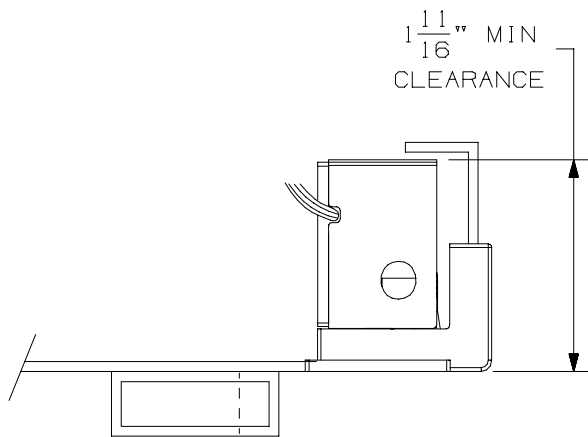
5100 Model Strike
Hollow Metal Frame Application

VON DUPRIN®

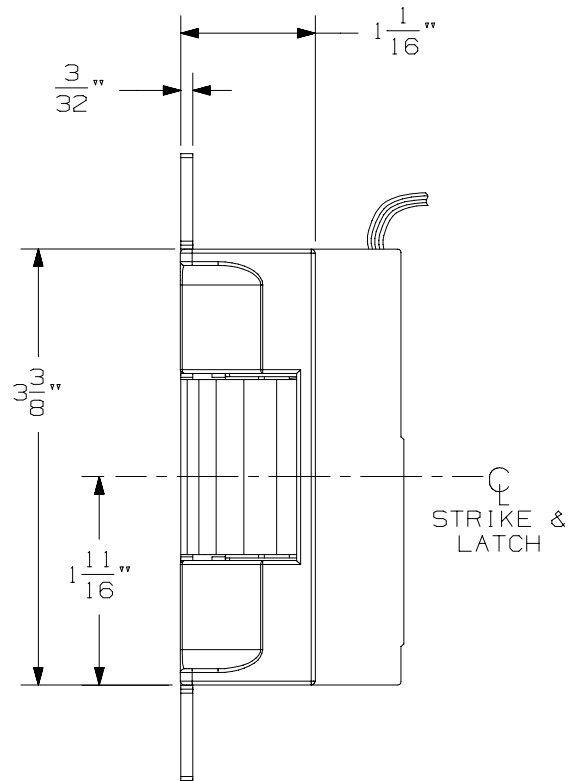
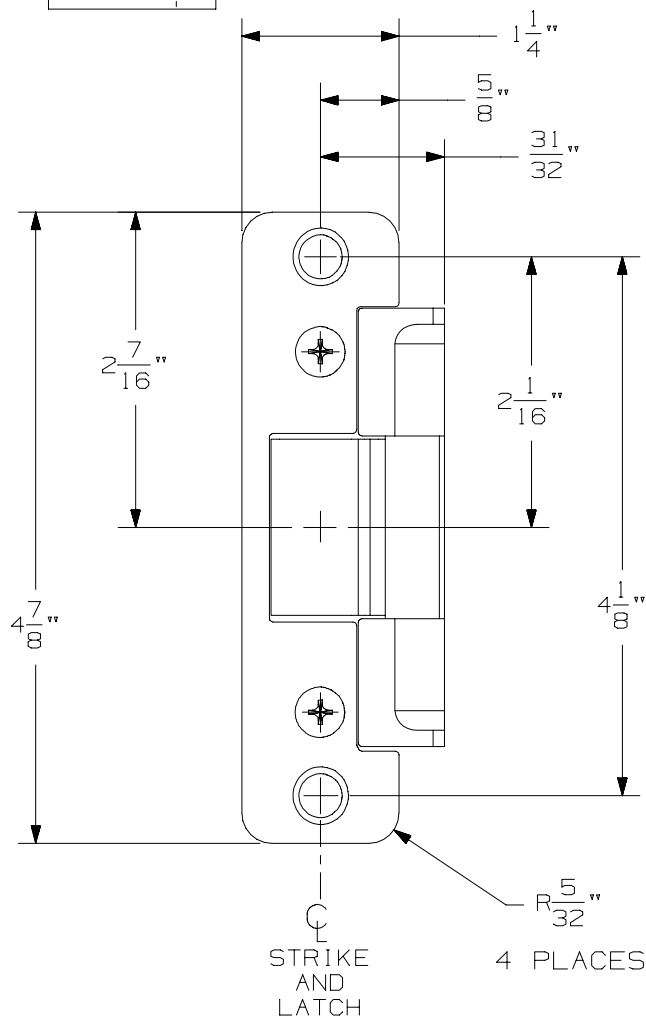
NOTES: SEE MASTER SHEET #10001 FOR SUGGESTED REINFORCING

TEMPLATE NUMBER: 30214_a Sht 1

DATE: 07-16-13



RIGHT HAND APPLICATION
LEFT HAND OPPOSITE



NOTE:
THIS STRIKE FOR USE WITH
5/8" MAX. THROW CYLINDRICAL
LATCHES OR DEAD LATCHES.

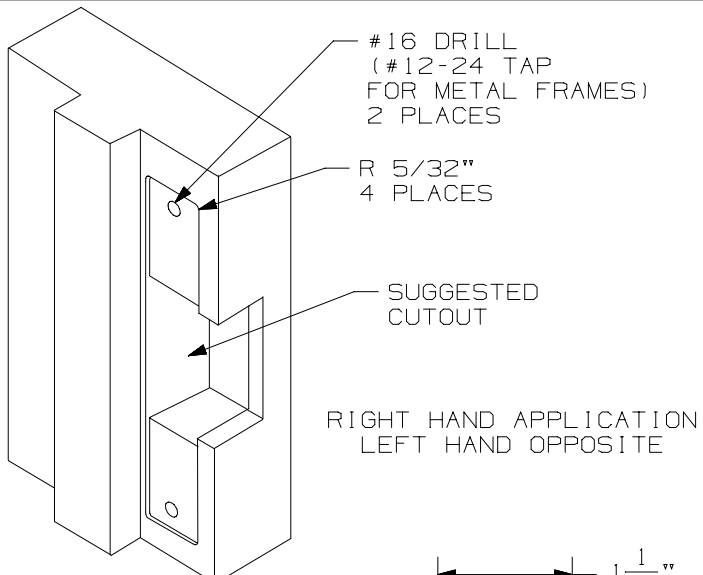
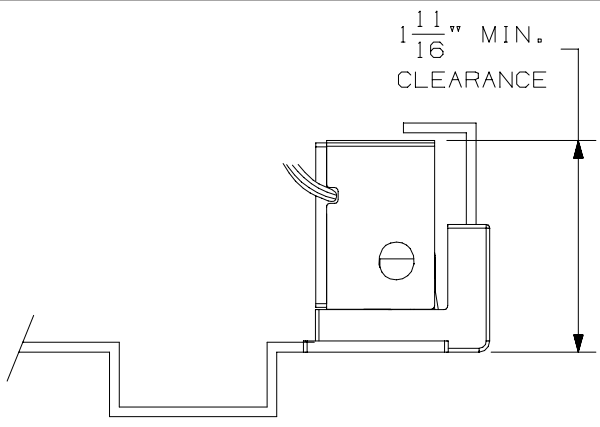
5100 Model Strike Aluminum Frame Application

VON DUPRIN®

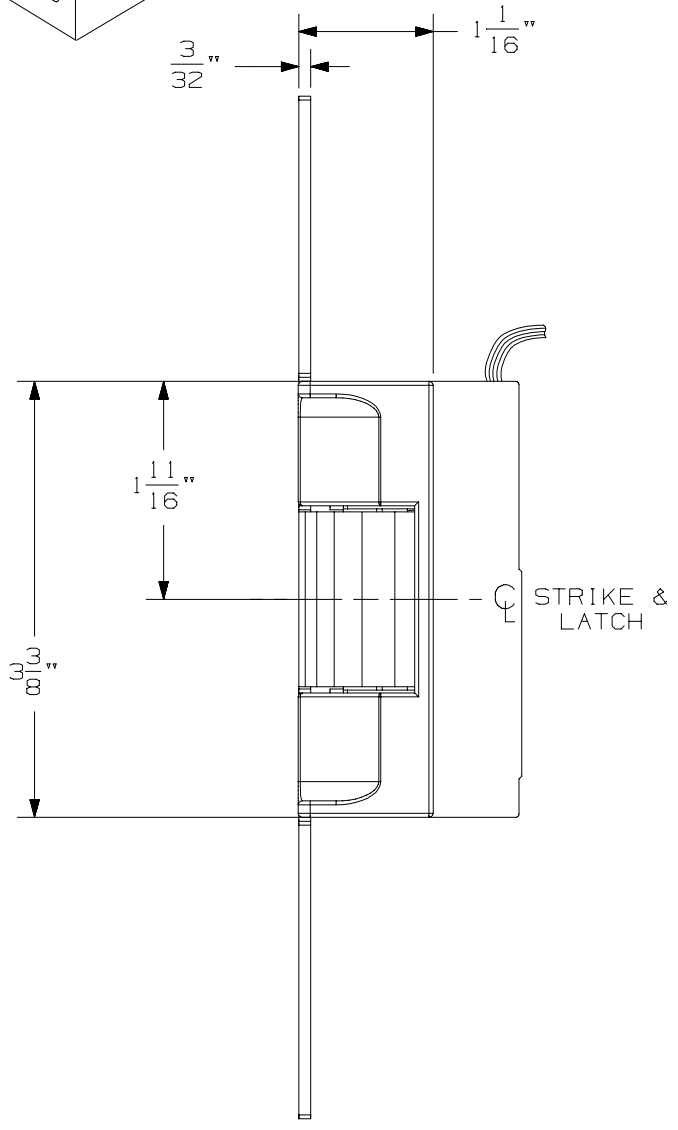
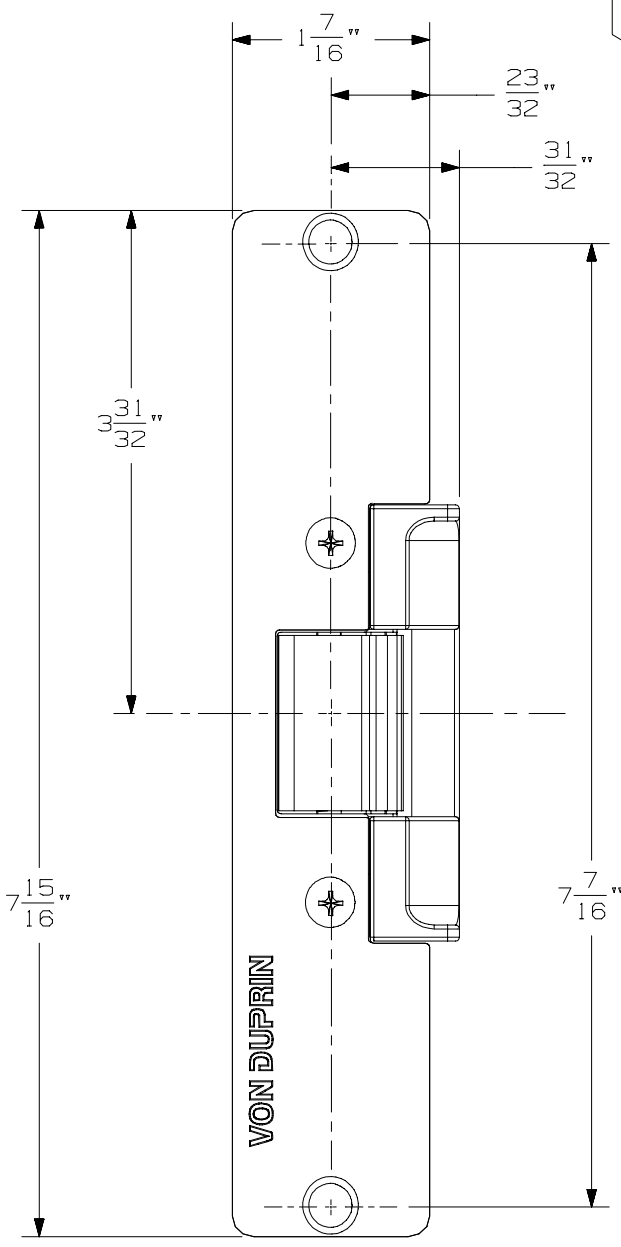
NOTES: SEE MASTER SHEET #10001 FOR SUGGESTED REINFORCING

TEMPLATE NUMBER: 30214_a Sht 2

DATE: 07-16-13



RIGHT HAND APPLICATION
LEFT HAND OPPOSITE



NOTE:
THIS STRIKE FOR USE WITH
 $\frac{5}{8}$ " MAX. THROW CYLINDRICAL
LATCHES OR DEAD LATCHES.

5100 Model Strike
Extended Faceplate Application

VON DUPRIN[®]

NOTES: SEE MASTER SHEET #10001 FOR SUGGESTED REINFORCING

TEMPLATE NUMBER: 30214_a Sht 3

DATE: 07-16-13