

- NOTES:
1. FOR OUTSIDE TRIM PREPARATION, WHEN REQUIRED, SEE TRIM TEMPLATE
 2. MOUNTING HOLES TO BE PREPARED AT INSTALLATION ON DOOR,
 3. SEE TEMPLATE #30038 IN HOLLOW METAL TEMPLATE BOOK FOR 338 STRIKE.

LHR APPLICATION SHOWN,
RHR APPLICATION OPPOSITE

* SEE 376L CONTROL TEMPLATE 01_054_01 FOR PULL SIDE FACE CUTOUT.

**5547WDC & 5547WDC-F SERIES
x 376LWDC
VERTICAL ROD DEVICES (WOOD DOOR)**

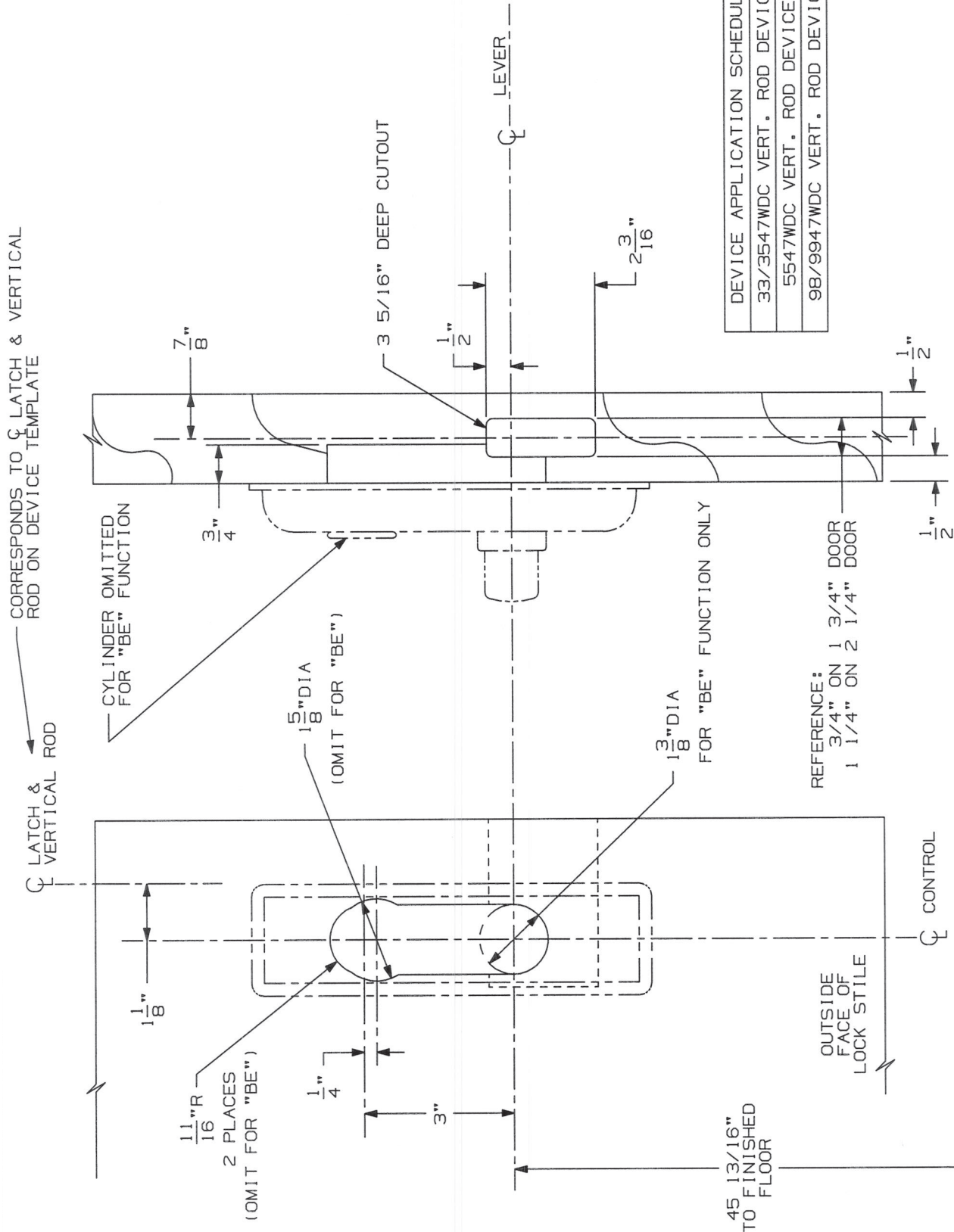
VON DUPRIN®

NOTES: SEE MASTER SHEET #10001 FOR SUGGESTED REINFORCING

TEMPLATE NUMBER: **01_185_00_b**

DATE: **02-12-18**

CORRESPONDS TO ϕ LATCH & VERTICAL ROD ON DEVICE TEMPLATE



DEVICE APPLICATION SCHEDULE
33/3547WDC VERT. ROD DEVICE
5547WDC VERT. ROD DEVICE
98/9947WDC VERT. ROD DEVICE

REFERENCE:
 3/4" ON 1 3/4" DOOR
 1 1/4" ON 2 1/4" DOOR

**376-L & 376-L-BE CONTROL
 x 5547WDC
 (WOOD DOOR)**

VON DUPRIN®

**LHR SHOWN
 RHR OPPOSITE**

FOR CUTOUTS ON INSIDE FACE OF DOOR
 SEE DEVICE TEMPLATE.

NOTE: MOUNTING HOLES TO BE PREPARED
 AT INSTALLATION ON DOOR.

NOTES: SEE MASTER SHEET #10001 FOR SUGGESTED REINFORCING

TEMPLATE NUMBER: **01_054_01_b**

DATE: **02-12-18**