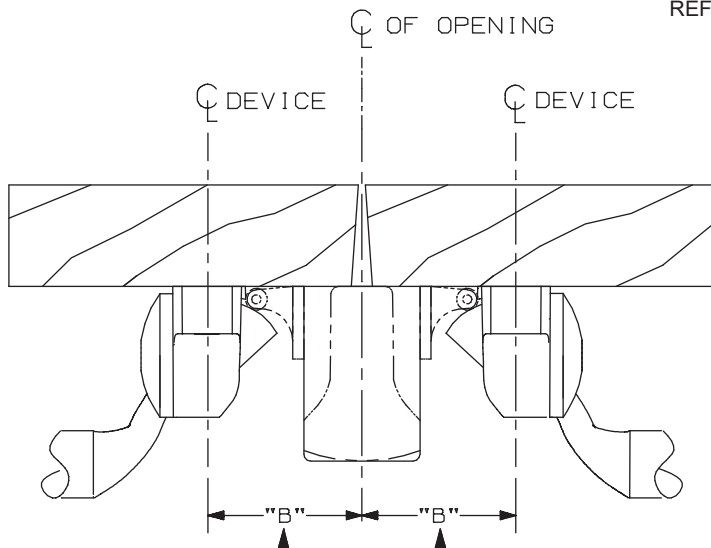
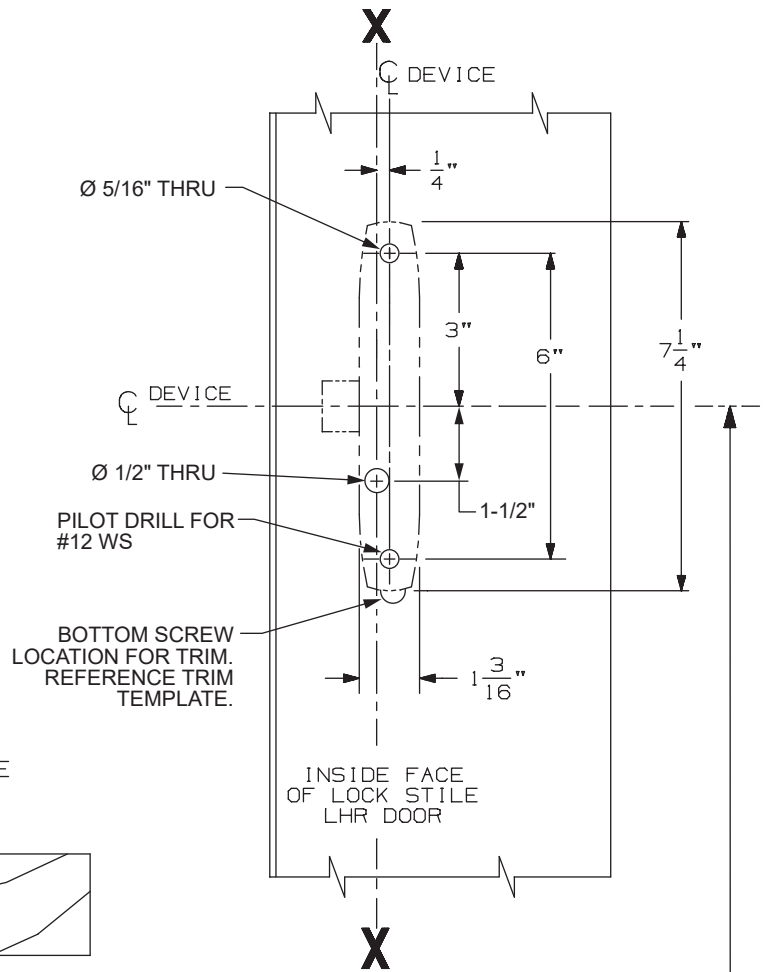


SINGLE DOOR INSTALLATION		
STRIKE	DIMENSION "B"	MIN. STILE
299	1 19/32"	2 13/16"
264	1 11/32"	2 9/16"
1606	1 5/32"	2 3/8"
(2) 1409/1439	25/32"	1 3/4"
1410	25/32"	1 3/4"



DOUBLE DOOR INSTALLATION WITH VON DUPRIN MULLIONS			
MULLION	STRIKE	DIMENSION "B"	MIN. STILE
5654	299	2 5/32"	2 3/4"
5654	264	1 29/32"	2 1/2"
4954	299	2 19/32"	3 3/16"
4954	264	2 11/32"	2 15/16"
1654	1606	2 5/32"	2 3/4"

SINGLE DOOR OPENING  
39 13/16" TO FINISHED FLOOR.

DOUBLE DOOR OPENING  
WITH VON DUPRIN MULLION  
39 11/16" TO FINISHED FLOOR

CROSSBAR 36 13/16" FROM FINISHED FLOOR

LHR SHOWN  
RHR OPPOSITE

FOR OUTSIDE TRIM PREPARATION, WHEN REQUIRED, SEE ADDITIONAL TRIM TEMPLATE

## 55L and 55L-BE Rim Device (Wood Door)

# VON DUPRIN®

NOTES: SEE MASTER SHEET #10001 FOR SUGGESTED REINFORCING

TEMPLATE NUMBER: 931007-00\_a

DATE: 12-29-17