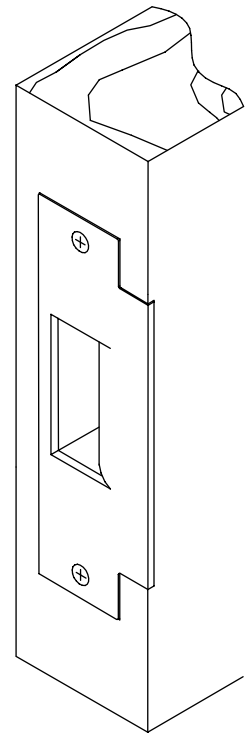
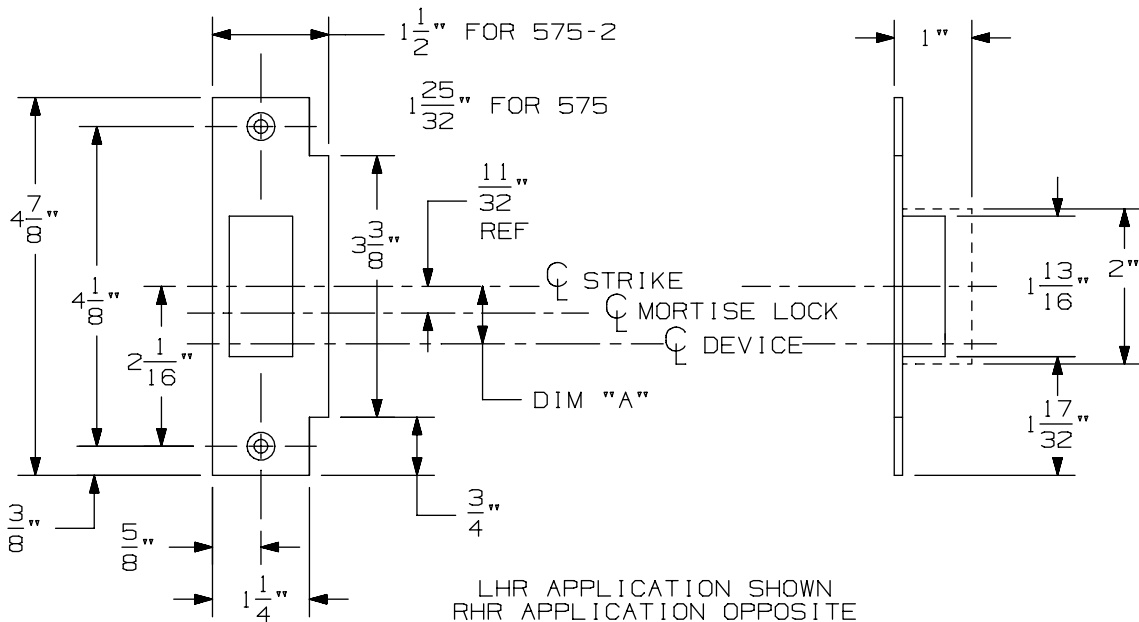
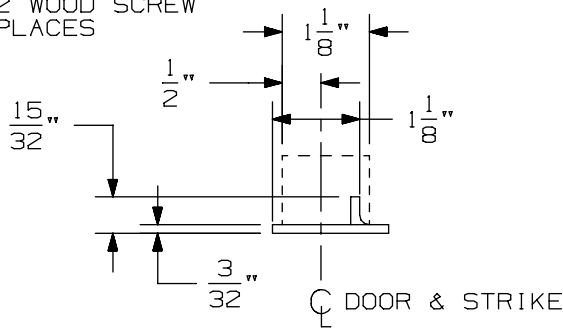


SUGGESTED CUTOUT



APPLICATION SCHEDULE	
DEVICE	DIM "A"
9875 & 9875-F	11/16"
9975 & 9975-F	11/16"
8875 & 8875-F	1/2"
5575 & 5575-F	1/2"

PILOT DRILL FOR #12 WOOD SCREW
2 PLACES



LHR APPLICATION SHOWN
RHR APPLICATION OPPOSITE

575-2 Mortise Strike (Double Doors)
for 7500 Mortise Lock (Wood Door)

VON DUPRIN®

NOTES: SEE MASTER SHEET #10001 FOR SUGGESTED REINFORCING

TEMPLATE
NUMBER:

W30212_b

DATE:
07-22-13